

Northeast Masonry Distributors, LLC
24 Cross Street
Plainville, MA
508-699-5665

NORTHEAST MASONRY
ORDER NUMBER:

S099420
SILVER RIDGE GRANITE, THERMAL

NOTES: ALL MATERIAL DRAWN AT NOMINAL SIZE. CONTRACTOR TO REVIEW AND NOTATE ANY PIECES THAT NEED TO ACCOUNT FOR MORTAR JOINT SIZING. DRAWINGS DO NOT ACCOUNT FOR ANY EXTRA SIZING TO BE CUT OFF IN FIELD. CONTRACTOR TO REVIEW AND NOTATE ANY REQUIRED ADJUSTMENTS

REFERENCE: 63 LEICESTER STREET, L1.09

DATE	REVISION
5/28/19	
5/31/19	
6/10/19	△ (Joining)

DRAWN BY:
ZACH BEAULIEU
CUSTOMER APPROVED:

SHEET

1

3

Thermal Top

PA-5
SA24201 2" SILVER RIDGE GRANITE, THERMAL
QTY: 56
SAWN 4 SIDES

3

Thermal Top

PA-4
SA24201 2" SILVER RIDGE GRANITE, THERMAL
QTY: 53
SAWN 4 SIDES

2

Bush Hammered Top

PA-3
SA24201 STANDARD GRAY GRANITE COBBLE, BUSH HAMMERED
QTY: 3,420 SF
SPLIT ALL SIDES OTHER THAN TOP

3

Thermal Top

PA-2
SA24201 2" SILVER RIDGE GRANITE, THERMAL
QTY: 3
SAWN 4 SIDES

3

Thermal Top

PA-1
SA24201 2" SILVER RIDGE GRANITE, THERMAL
QTY: 17
SAWN 4 SIDES

3

*Field Verify Dimensions

Thermal Top

PA-9
SA24201 6" SILVER RIDGE GRANITE, THERMAL
QTY: 1
SAWN 4 SIDES

3

Thermal Top

PA-8
SA24201 6" SILVER RIDGE GRANITE, THERMAL
QTY: 2
SAWN 4 SIDES

3

Thermal Top

PA-7B
SA24201 6" SILVER RIDGE GRANITE, THERMAL
LIGHTLY ROCKED 1 SHORT QTY: 4

3

Thermal Top

PA-7A
SA24201 6" SILVER RIDGE GRANITE, THERMAL
SAWN 4 SIDES QTY: 2

3

Thermal Top

PA-6
SA24201 6" SILVER RIDGE GRANITE, THERMAL
LIGHTLY ROCKED 1 SHORT QTY: 4

3

Thermal Top

PA-14
SA24201 3" SILVER RIDGE GRANITE, THERMAL
SAWN 4 SIDES QTY: 9

2

3

Thermal Top

PA-13
SA24201 3" SILVER RIDGE GRANITE, THERMAL
SAWN 4 SIDES QTY: 5

2

3

Thermal Top

PA-12
SA24201 3" SILVER RIDGE GRANITE, THERMAL
SAWN 4 SIDES QTY: 5

3

Thermal Top

PA-11
SA24201 2" SILVER RIDGE GRANITE, THERMAL
SAWN 4 SIDES QTY: 3

2

3

*This is noted to be a revision but there do not appear to be any changes.

Thermal Top

PA-10
SA24201 6" SILVER RIDGE GRANITE, THERMAL
SAWN 4 SIDES QTY: 2

3

Thermal Top

PA-19
SA24201 3" SILVER RIDGE GRANITE, THERMAL
SAWN 4 SIDES QTY: 7

3

Thermal Top

PA-18
SA24201 2" SILVER RIDGE GRANITE, THERMAL
LIGHTLY ROCKED 1 LONG QTY: 1

3

Thermal Top

PA-17
SA24201 2" SILVER RIDGE GRANITE, THERMAL
SAWN 4 SIDES QTY: 2

2

3

Thermal Top

PA-16
SA24201 3" SILVER RIDGE GRANITE, THERMAL
SAWN 4 SIDES QTY: 64

3

Thermal Top

PA-15
SA24201 2" SILVER RIDGE GRANITE, THERMAL
SAWN 4 SIDES QTY: 1

3

Thermal Top

PA-24
SA24201 3" SILVER RIDGE GRANITE, THERMAL
SAWN 4 SIDES QTY: 10

2

3

INTENTIONALLY OMITTED

PA-23
SA24201 -

2

3

Thermal Top

PA-22
SA24201 3" SILVER RIDGE GRANITE, THERMAL
SAWN 4 SIDES QTY: 4

2

3

Thermal Top

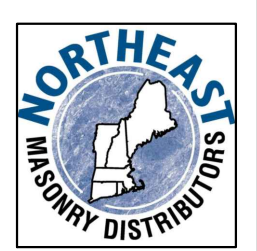
PA-21
SA24201 2" SILVER RIDGE GRANITE, THERMAL
SAWN 4 SIDES QTY: 4

2

3

INTENTIONALLY OMITTED

PA-20
SA24201 -



Northeast Masonry Distributors, LLC
24 Cross Street
Plainville, MA
508-699-5665

NORTHEAST MASONRY
ORDER NUMBER:

S099420
SILVER RIDGE GRANITE, THERMAL

NOTES: ALL MATERIAL DRAWN AT NOMINAL SIZE. CONTRACTOR TO REVIEW AND NOTATE ANY PIECES THAT NEED TO ACCOUNT FOR MORTAR JOINT SIZING. DRAWINGS DO NOT ACCOUNT FOR ANY EXTRA SIZING TO BE CUT OFF IN FIELD. CONTRACTOR TO REVIEW AND NOTATE ANY REQUIRED ADJUSTMENTS

REFERENCE: 83 LEICESTER STREET, L1.09

DATE	REVISION
5/28/19	
5/31/19	△ (Joining)
6/10/19	

DRAWN BY:
ZACH BEAULIEU
CUSTOMER APPROVED:

SHEET
2

PA-25 3" SILVER RIDGE GRANITE, THERMAL SA24201 QTY: 16
SAWN 4 SIDES

PA-26 3" SILVER RIDGE GRANITE, THERMAL SA24201 QTY: 79
SAWN 4 SIDES

PA-27 3" SILVER RIDGE GRANITE, THERMAL SA24201 QTY: 14
SAWN 4 SIDES

PA-28 3" SILVER RIDGE GRANITE, THERMAL SA24201 QTY: 8
SAWN 4 SIDES

INTENTIONALLY OMITTED

PA-29 -
SA24201 -

PA-30 2" SILVER RIDGE GRANITE, THERMAL SA24201 QTY: 7
SAWN 4 SIDES

INTENTIONALLY OMITTED

PA-31 -
SA24201 -

INTENTIONALLY OMITTED

PA-32 -
SA24201 -

PA-33 2" SILVER RIDGE GRANITE, THERMAL SA24201 QTY: 1
SAWN 4 SIDES

INTENTIONALLY OMITTED

PA-34 -
SA24201 -

INTENTIONALLY OMITTED

PA-35 -
SA24201 -

PA-36 2" SILVER RIDGE GRANITE, THERMAL SA24201 QTY: 2
LIGHTLY ROCKED 1 LONG

PA-37A 2" SILVER RIDGE GRANITE, THERMAL SA24201 QTY: 2
SAWN 4 SIDES

PA-37B 2" SILVER RIDGE GRANITE, THERMAL SA24201 QTY: 2
LIGHTLY ROCKED 1 SHORT

PA-37C 2" SILVER RIDGE GRANITE, THERMAL SA24201 QTY: 1
LIGHTLY ROCKED 1 LONG, 1 SHORT RIGHT

PA-37D 2" SILVER RIDGE GRANITE, THERMAL SA24201 QTY: 2
LIGHTLY ROCKED 1 LONG

PA-37E 2" SILVER RIDGE GRANITE, THERMAL SA24201 QTY: 1
LIGHTLY ROCKED 1 LONG, 1 SHORT LEFT

INTENTIONALLY OMITTED

PA-37F -
SA24201 -

INTENTIONALLY OMITTED

PA-37G -
SA24201 -

PA-38 2" SILVER RIDGE GRANITE, THERMAL SA24201 QTY: 2
SAWN 4 SIDES

*Quantity change was not bubbled on Lombardi's shop set but it changed from 3 -> 2 pieces

INTENTIONALLY OMITTED

PA-39 -
SA24201 -

PA-40 6" SILVER RIDGE GRANITE, THERMAL SA24201 QTY: 1
SAWN 4 SIDES

*Added as part of Revision 2 Set

PA-41 2" SILVER RIDGE GRANITE, THERMAL SA24201 QTY: 2
SAWN 4 SIDES

*Added as part of Revision 2 Set

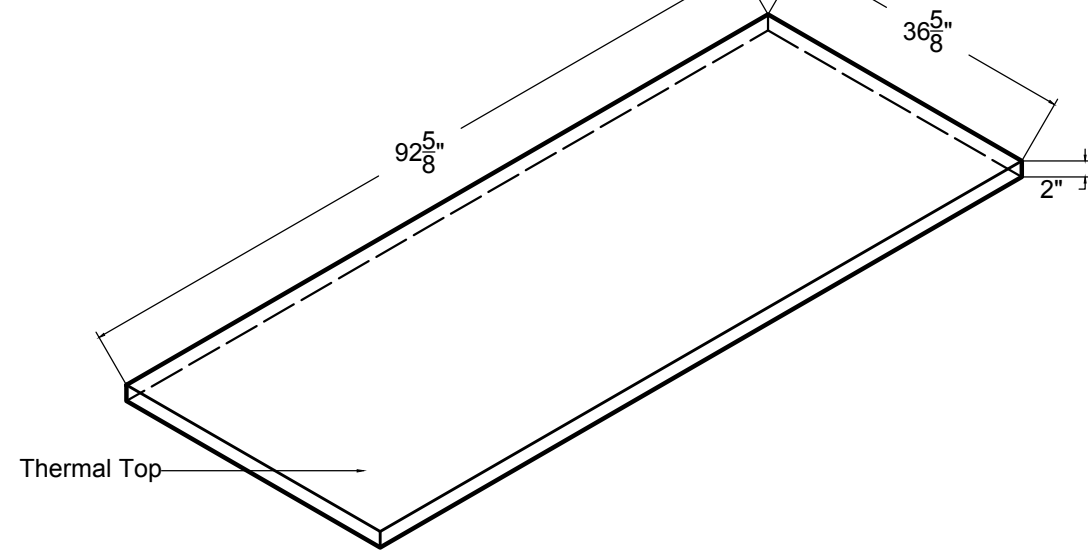
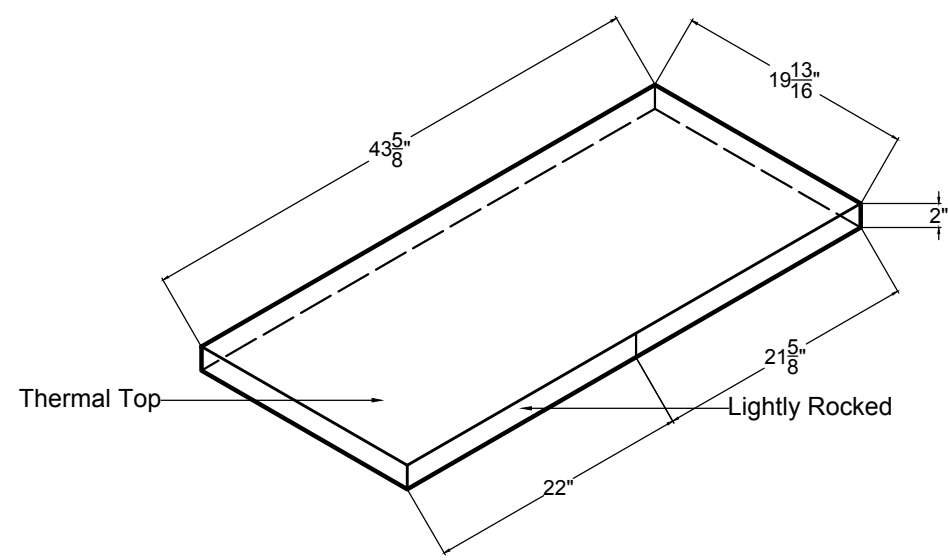
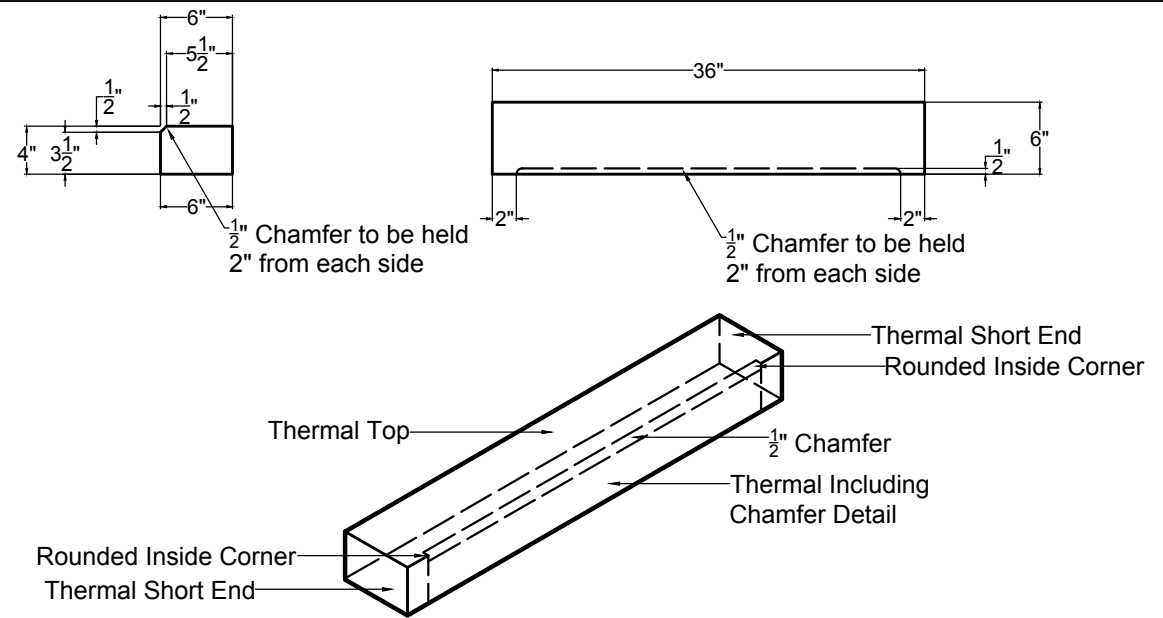
PA-42A 2" SILVER RIDGE GRANITE, THERMAL SA24201 QTY: 2
SAWN 4 SIDES

*Added as part of Revision 2 Set

PA-42B 2" SILVER RIDGE GRANITE, THERMAL SA24201 QTY: 1
LIGHTLY ROCKED FOR 22" OF 1 LONG (RIGHT SIDE)

*Added as part of Revision 2 Set

*Added as part of Revision 2 Set



TS-1 4" SILVER RIDGE GRANITE, THERMAL THERMAL 1 LONG (CHAMFER FACE), 2 SHORT QTY: 1

WC-1 6" SILVER RIDGE GRANITE, THERMAL LIGHTLY ROCKED 2 LONG QTY: 2

WC-1B SA24201

INTENTIONALLY OMITTED

NORTHEAST MASONRY DISTRIBUTORS
 Northeast Masonry Distributors, LLC
 24 Cross Street
 Plainville, MA
 508-699-5665

NORTHEAST MASONRY ORDER NUMBER:

S099420 SILVER RIDGE GRANITE, THERMAL

NOTES: ALL MATERIAL DRAWN AT NOMINAL SIZE. CONTRACTOR TO REVIEW AND NOTATE ANY PIECES THAT NEED TO ACCOUNT FOR MORTAR JOINT SIZING. DRAWINGS DO NOT ACCOUNT FOR ANY EXTRA SIZING TO BE CUT OFF IN FIELD. CONTRACTOR TO REVIEW AND NOTATE ANY REQUIRED ADJUSTMENTS

REFERENCE: 63 LEICESTER STREET, L1.09

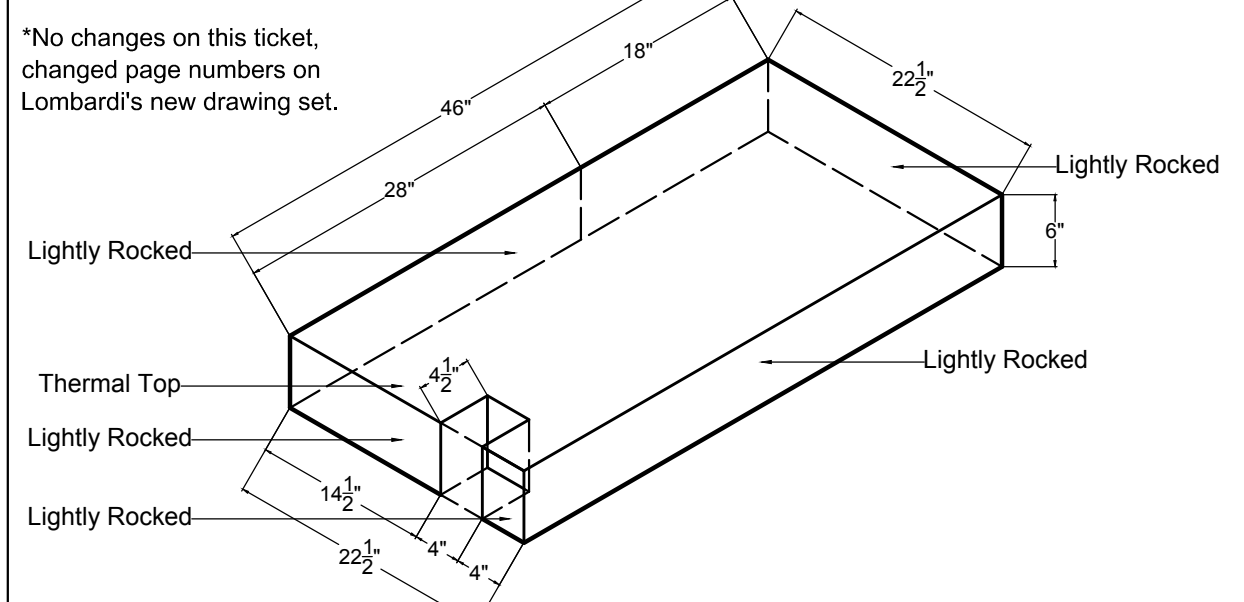
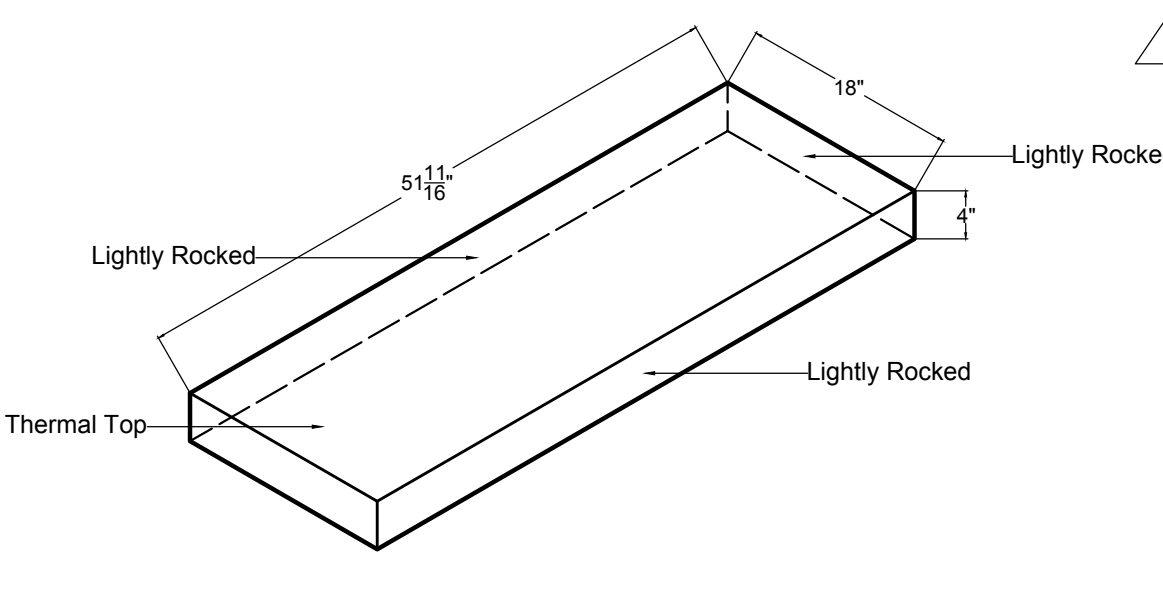
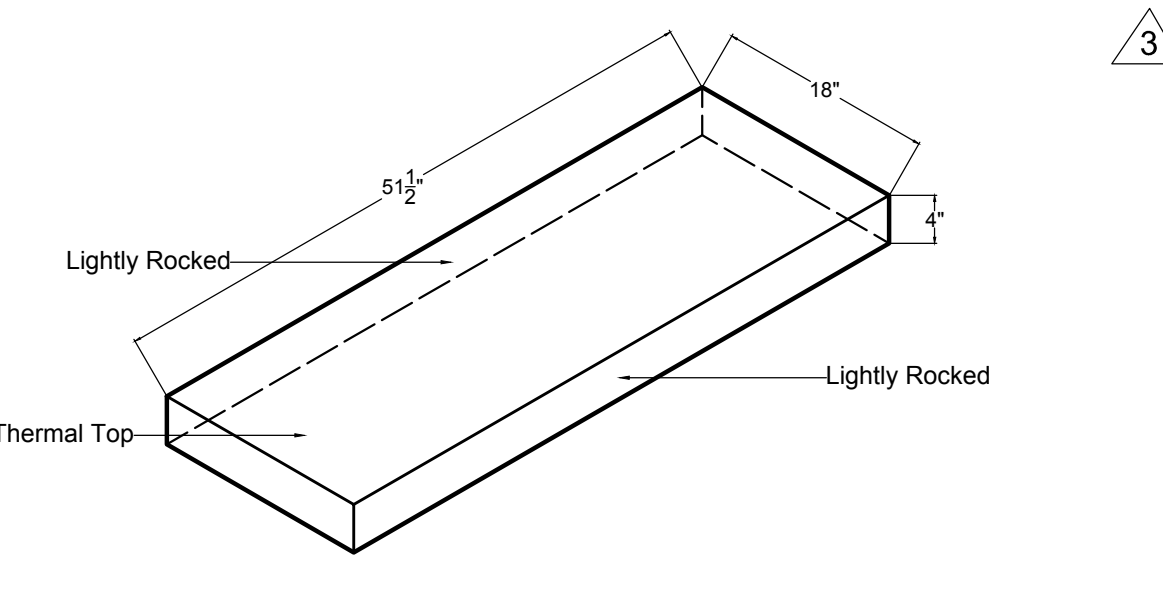
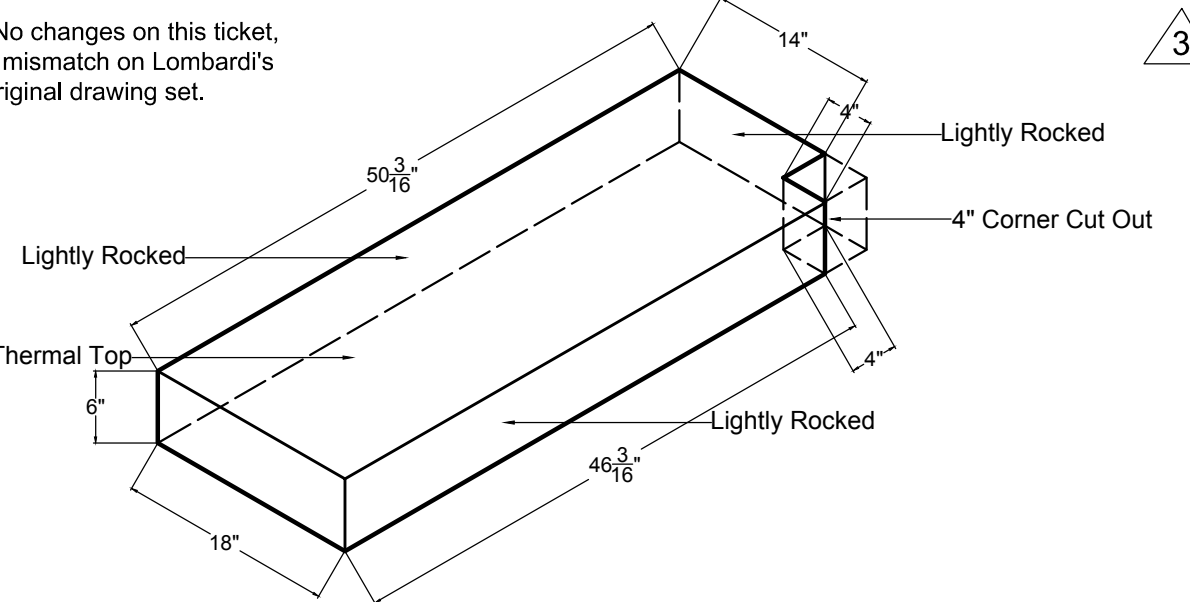
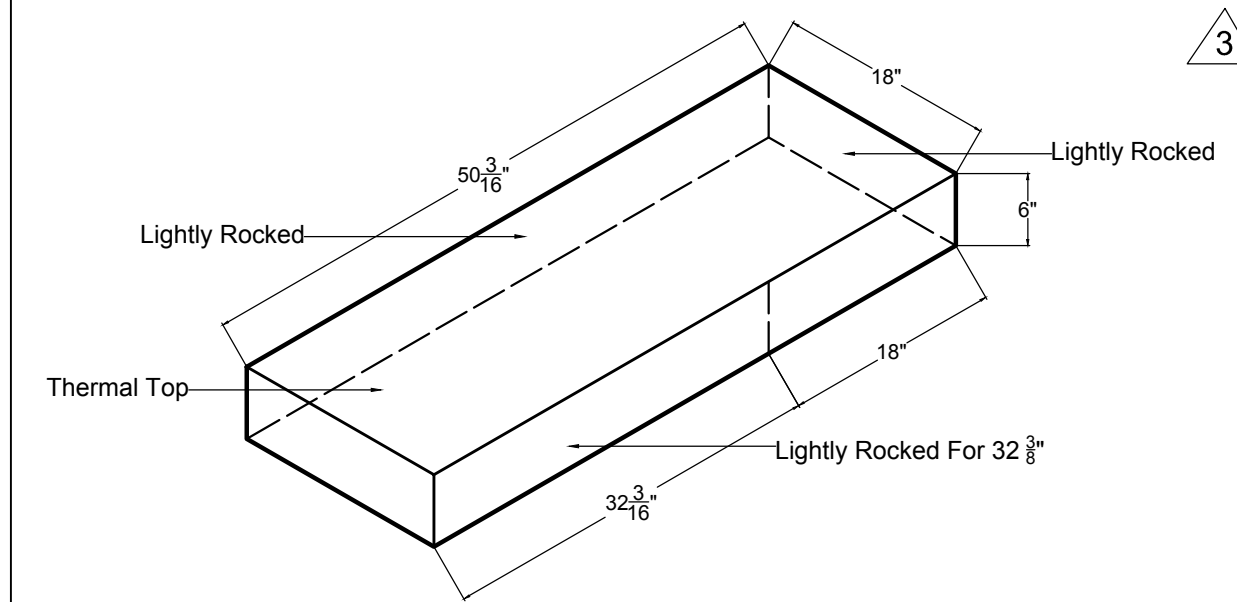
DATE	REVISION
5/28/19	
5/31/19	
6/10/19	

DRAWN BY: ZACH BEAULIEU
CUSTOMER APPROVED:

SHEET 3

PA-42C 2" SILVER RIDGE GRANITE, THERMAL LIGHTLY ROCKED FOR 22" OF 1 LONG (LEFT SIDE) QTY: 1

PA-43 2" SILVER RIDGE GRANITE, THERMAL SAWN 4 SIDES QTY: 1



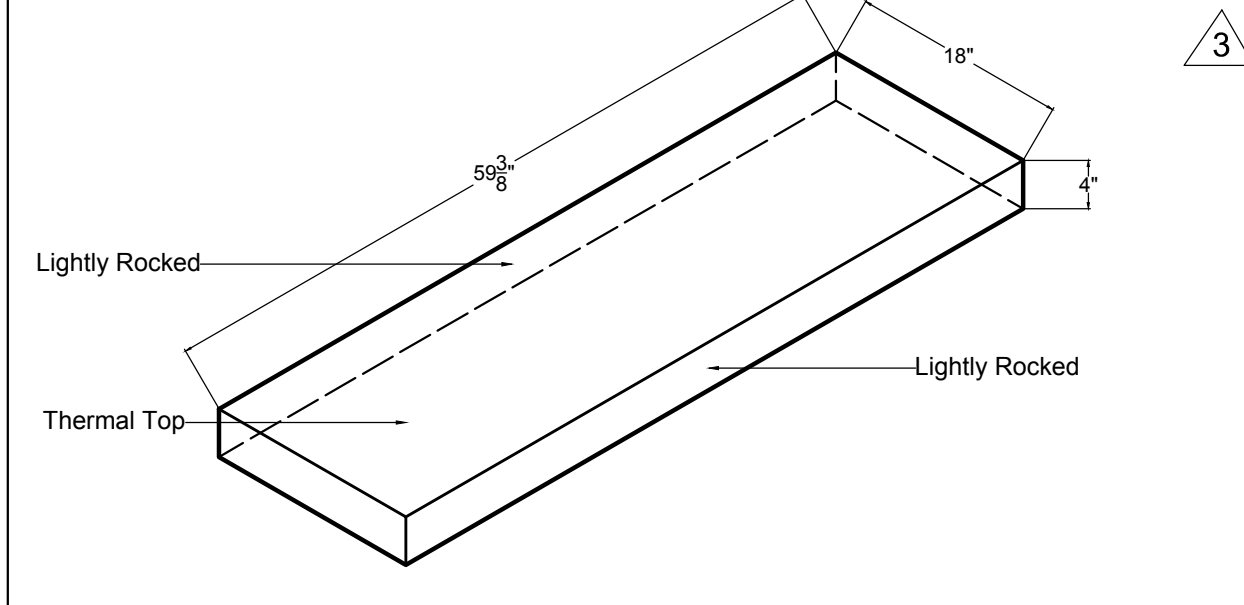
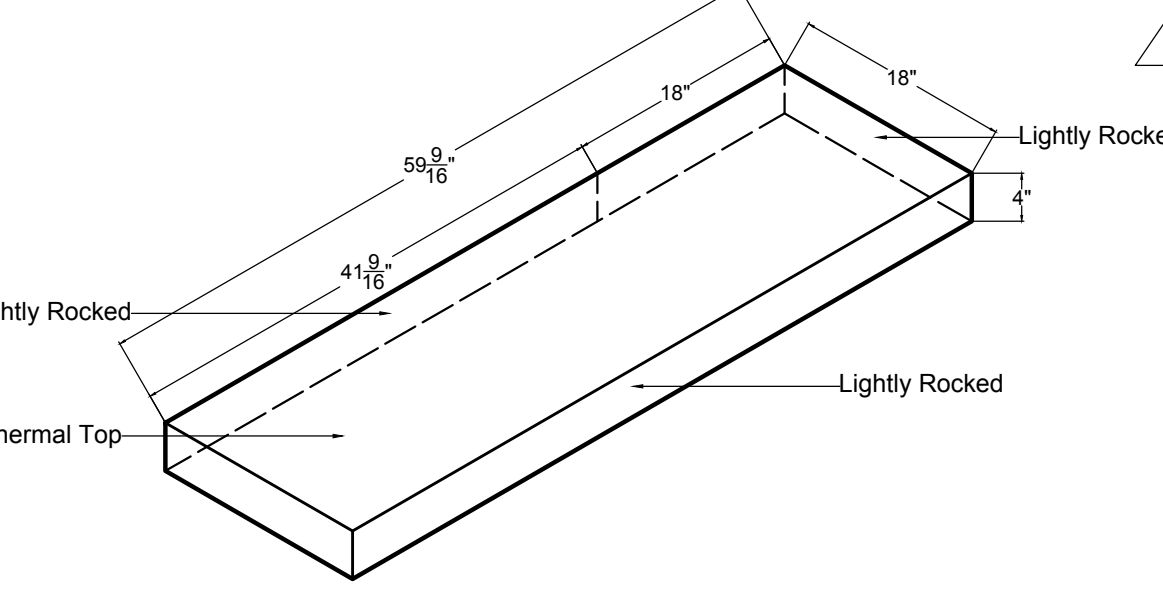
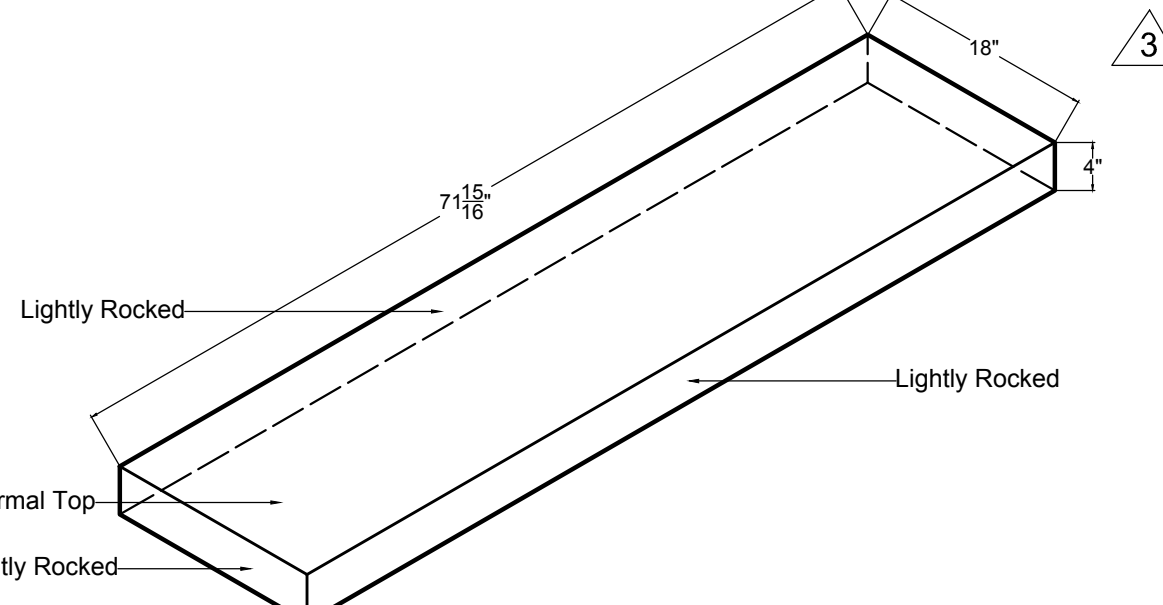
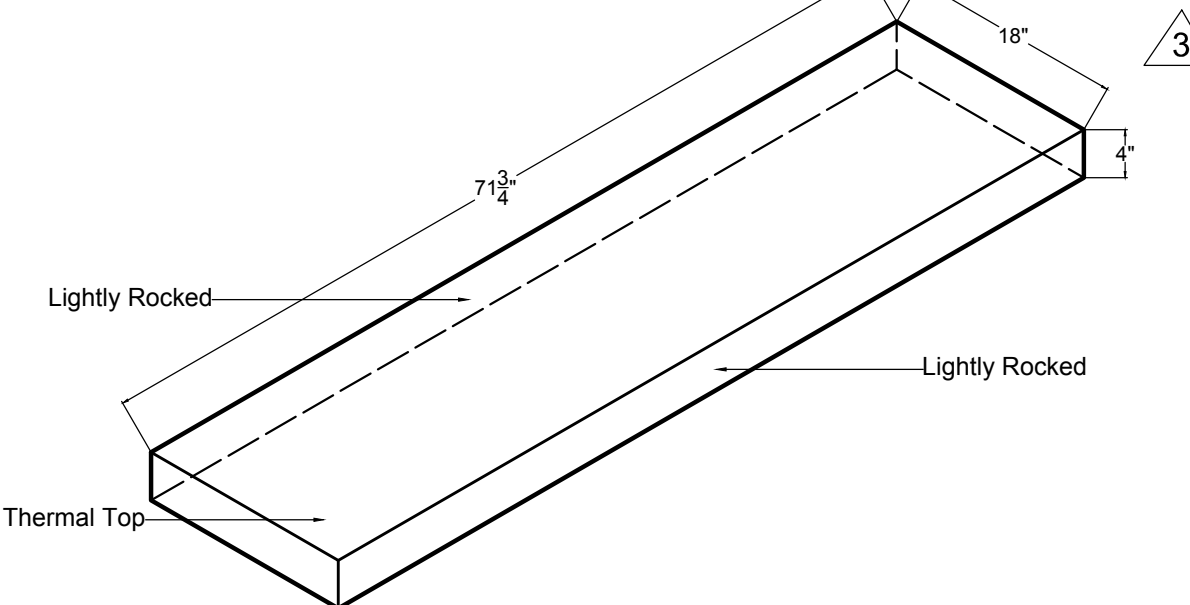
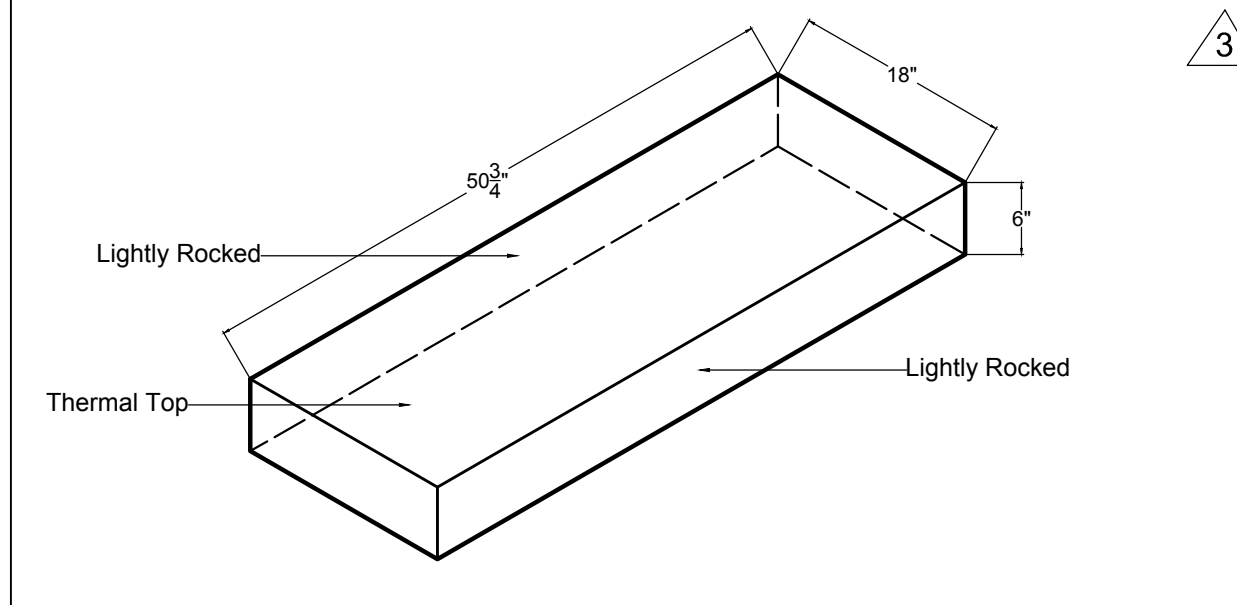
WC-2A 6" SILVER RIDGE GRANITE, THERMAL LIGHTLY ROCKED 1 LONG, 1 SHORT LEFT, AND 32 1/2" OF OPPOSITE LONG (LEFT SIDE) QTY: 1

WC-2B 6" SILVER RIDGE GRANITE, THERMAL LIGHTLY ROCKED 2 LONG 1 SHORT QTY: 1

WC-3A 4" SILVER RIDGE GRANITE, THERMAL LIGHTLY ROCKED 2 LONG QTY: 4

WC-3B 4" SILVER RIDGE GRANITE, THERMAL LIGHTLY ROCKED 2 LONG 1 SHORT QTY: 4

WC-4 6" SILVER RIDGE GRANITE, THERMAL LIGHTLY ROCKED 1 LONG, 2 SHORT, AND 18" OF 1 LONG FACE (SEE TICKET) QTY: 1



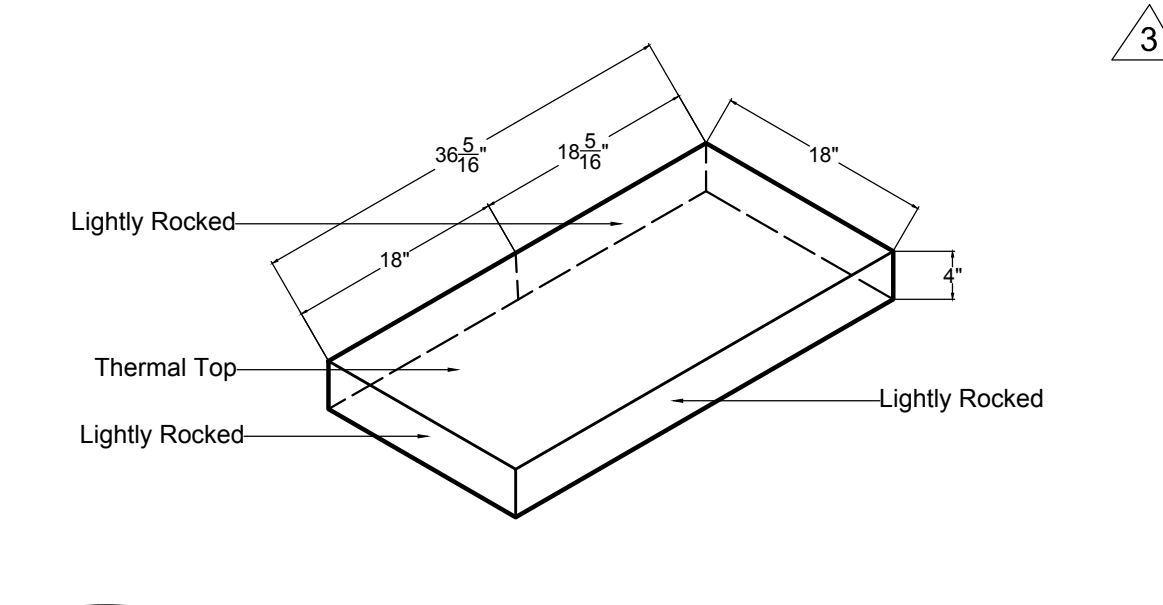
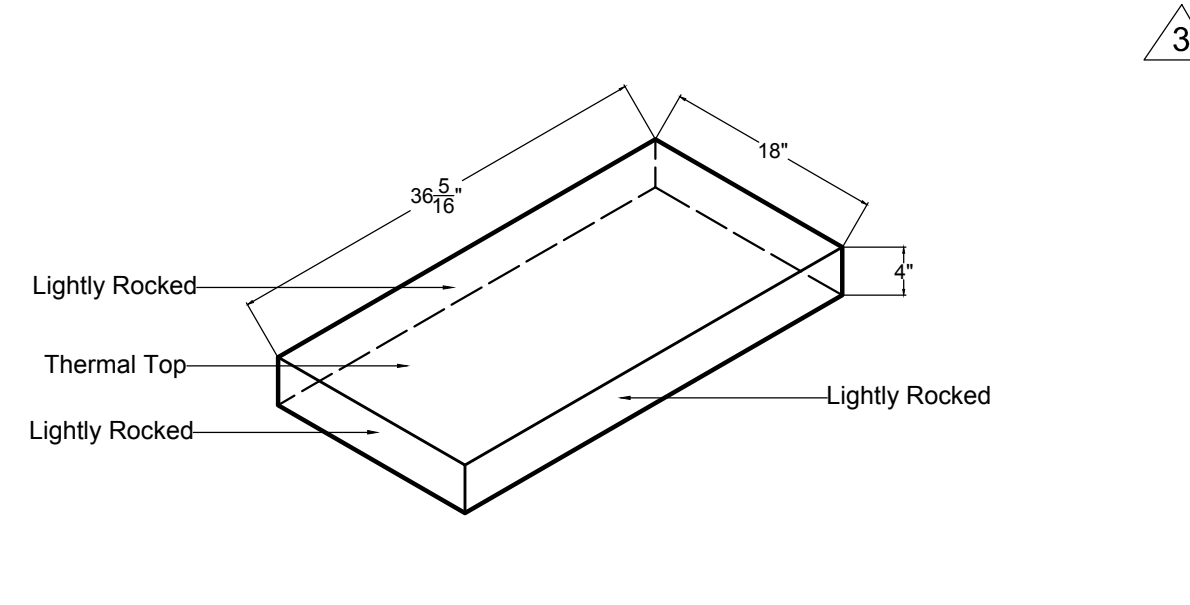
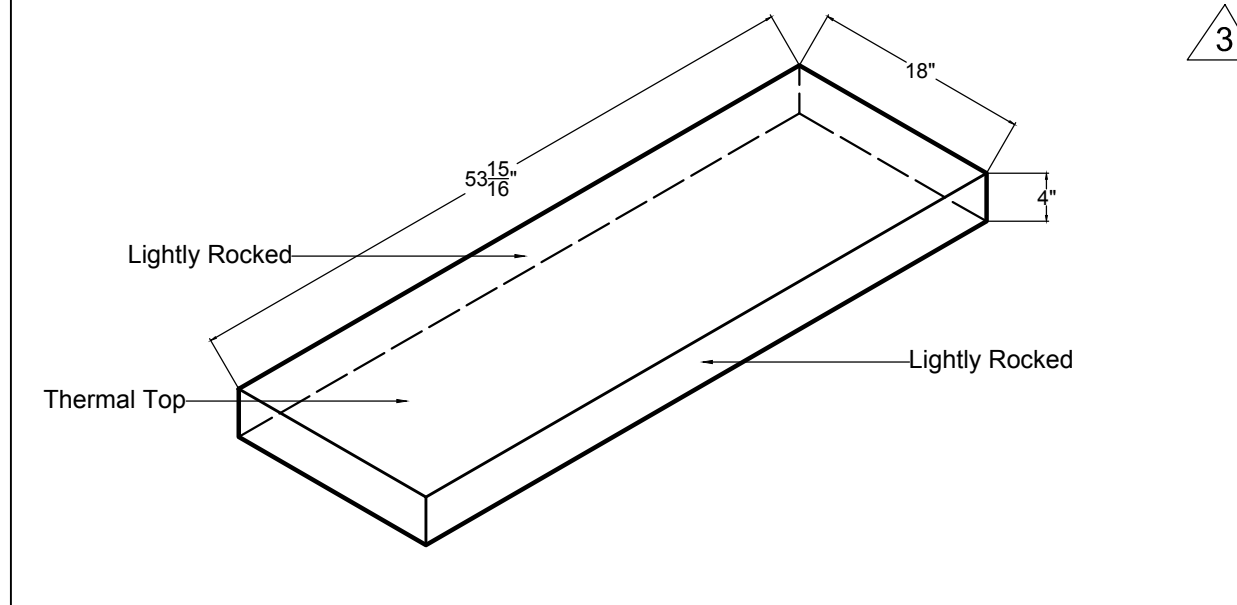
WC-5 6" SILVER RIDGE GRANITE, THERMAL LIGHTLY ROCKED 2 LONG QTY: 3

WC-6A 4" SILVER RIDGE GRANITE, THERMAL LIGHTLY ROCKED 2 LONG QTY: 11

WC-6B 4" SILVER RIDGE GRANITE, THERMAL LIGHTLY ROCKED 2 LONG, 1 SHORT QTY: 1

WC-7A 4" SILVER RIDGE GRANITE, THERMAL LIGHTLY ROCKED 1 LONG, 1 SHORT RIGHT, AND 41 3/4" OF OPPOSITE LONG (LEFT SIDE) QTY: 1

WC-7B 4" SILVER RIDGE GRANITE, THERMAL LIGHTLY ROCKED 2 LONG QTY: 1



WC-8 4" SILVER RIDGE GRANITE, THERMAL LIGHTLY ROCKED 2 LONG QTY: 3

WC-9A 4" SILVER RIDGE GRANITE, THERMAL LIGHTLY ROCKED 2 LONG 1 SHORT QTY: 1

WC-9B 4" SILVER RIDGE GRANITE, THERMAL LIGHTLY ROCKED 1 LONG, 1 SHORT LEFT, AND 18 3/4" OF OPPOSITE LONG (RIGHT SIDE) QTY: 1

X-X SA24201

X-X SA24201

INTENTIONALLY OMITTED

INTENTIONALLY OMITTED

INTENTIONALLY OMITTED

INTENTIONALLY OMITTED

INTENTIONALLY OMITTED

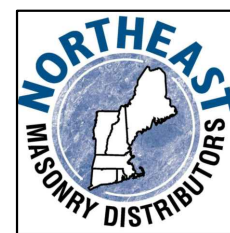
X-X SA24201

X-X SA24201

X-X SA24201

X-X SA24201

X-X SA24201



Northeast Masonry Distributors, LLC
24 Cross Street
Plainville, MA
508-699-5665

NORTHEAST MASONRY
ORDER NUMBER:

S099420
SILVER RIDGE GRANITE, THERMAL

NOTES: ALL MATERIAL DRAWN AT NOMINAL SIZE. CONTRACTOR TO REVIEW AND NOTATE ANY PIECES THAT NEED TO ACCOUNT FOR MORTAR JOINT SIZING. DRAWINGS DO NOT ACCOUNT FOR ANY EXTRA SIZING TO BE CUT OFF IN FIELD. CONTRACTOR TO REVIEW AND NOTATE ANY REQUIRED ADJUSTMENTS

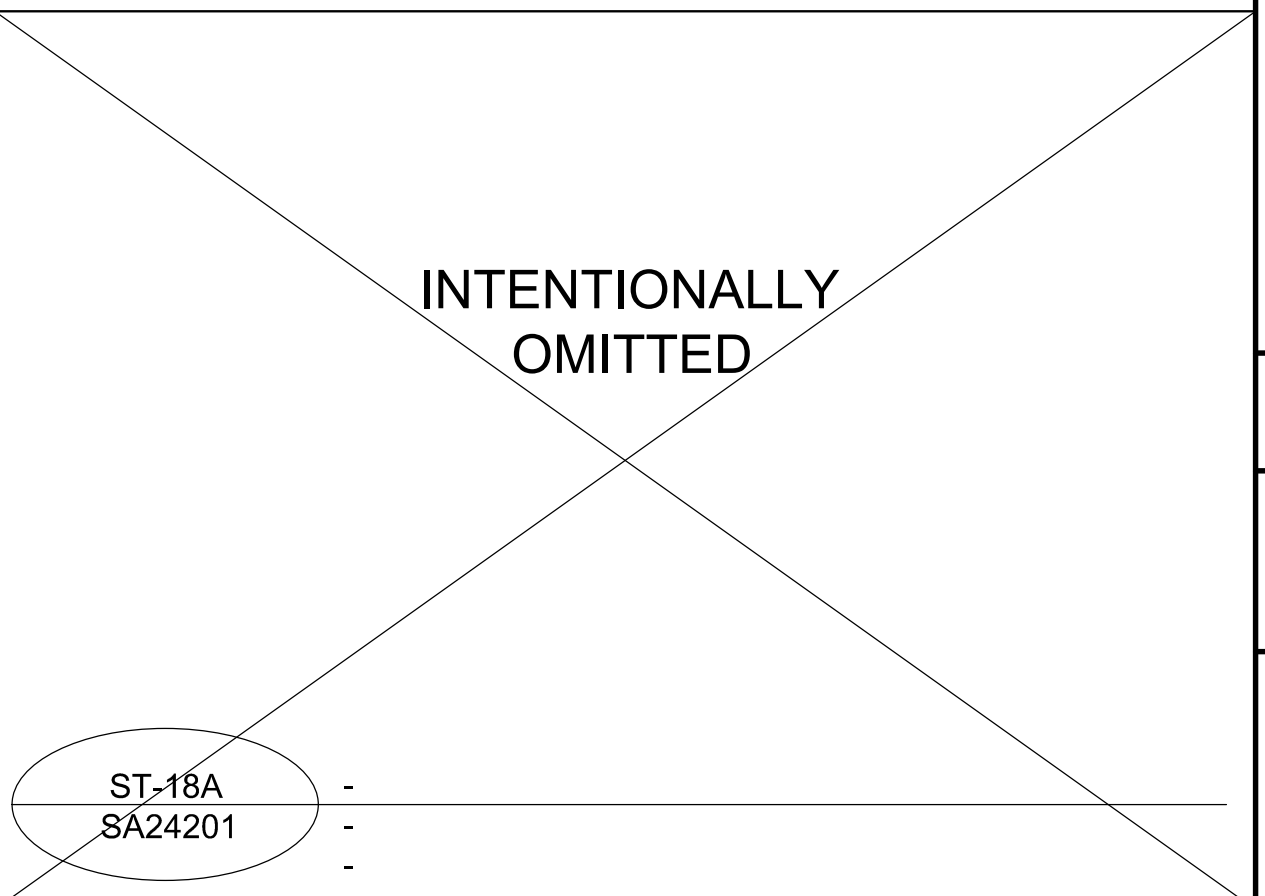
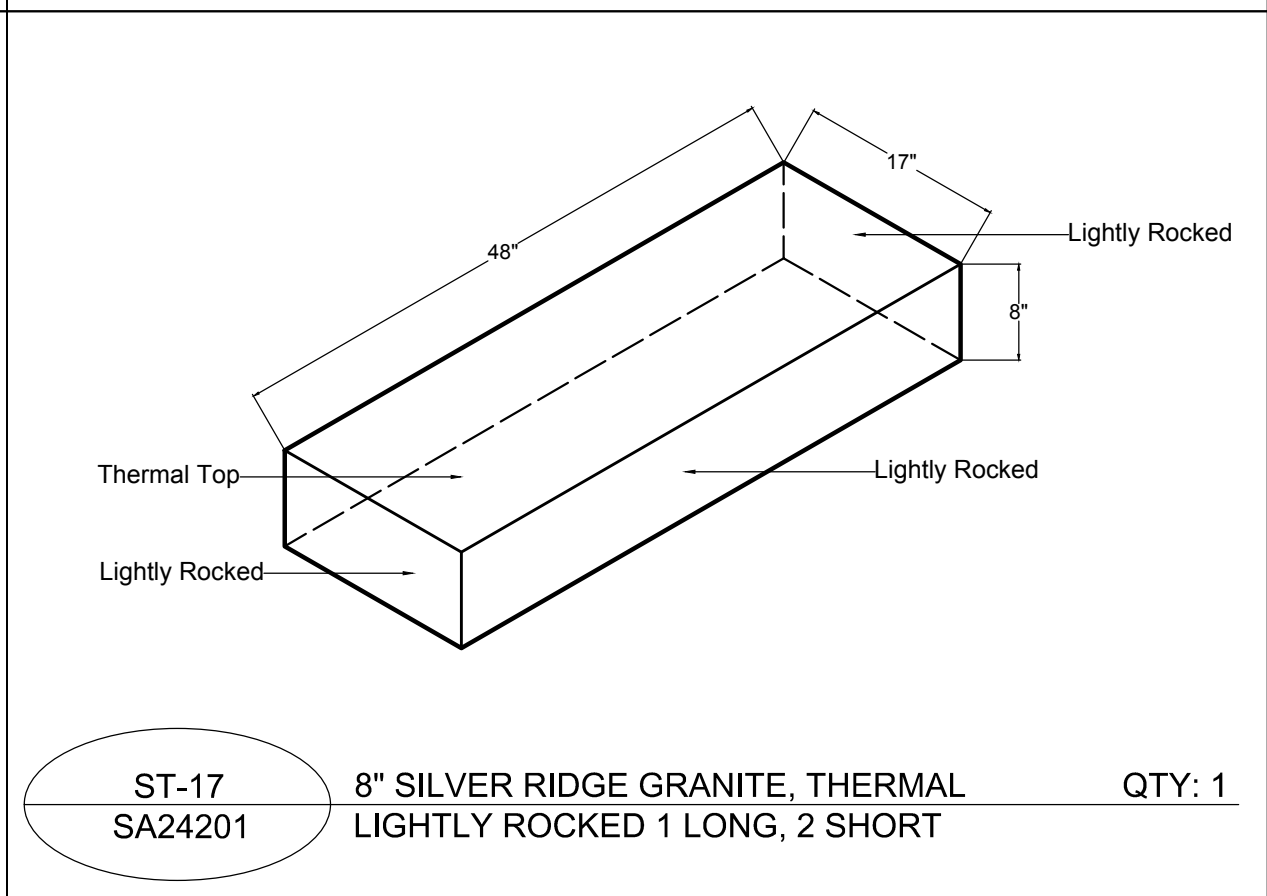
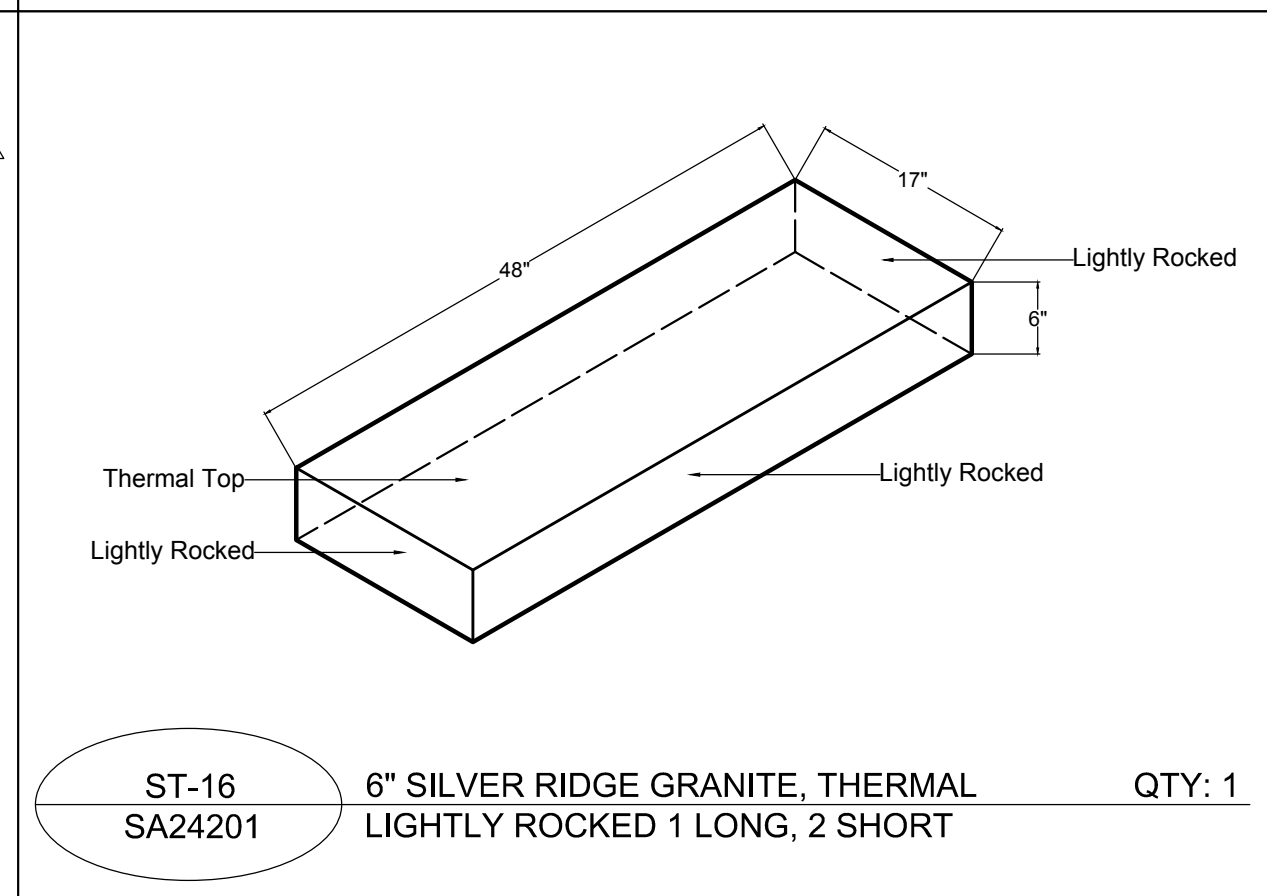
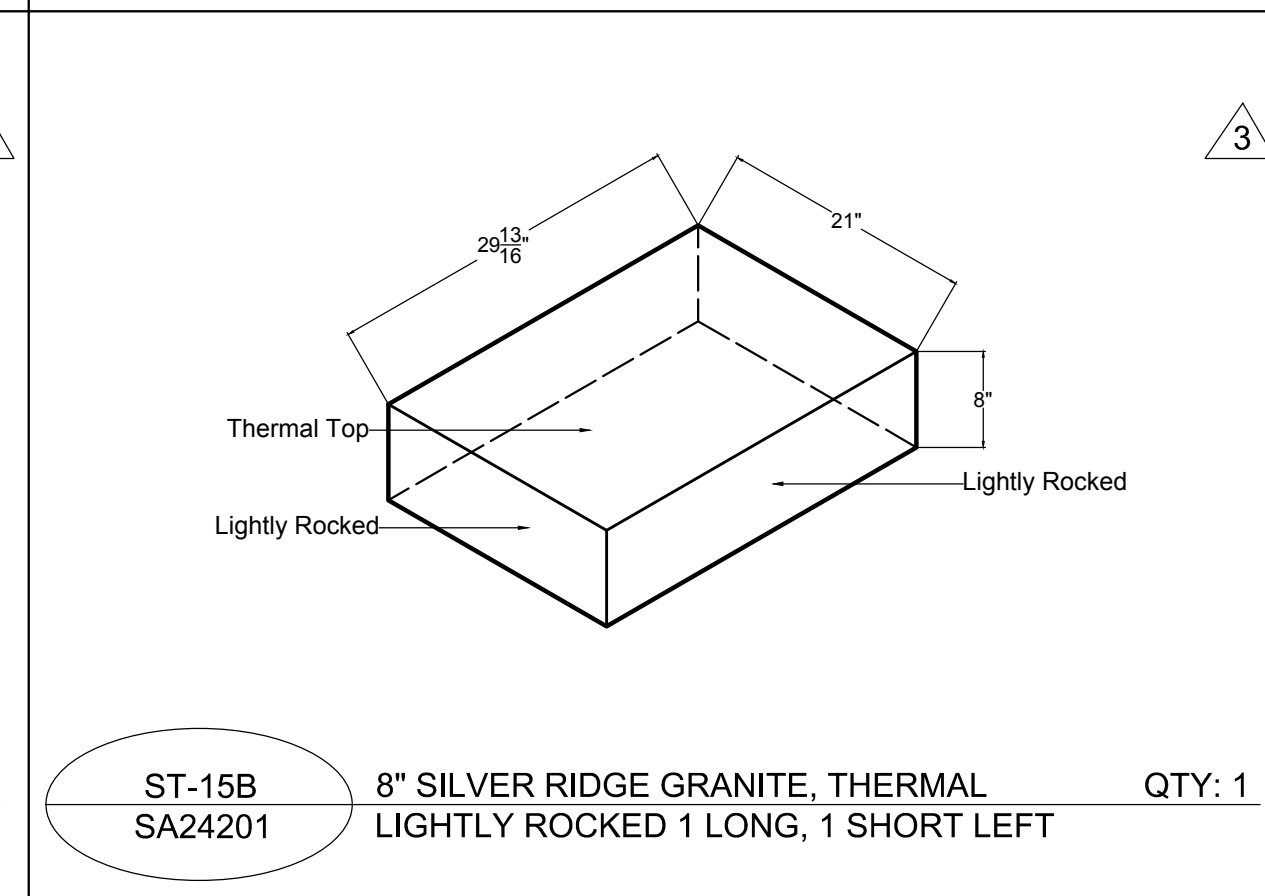
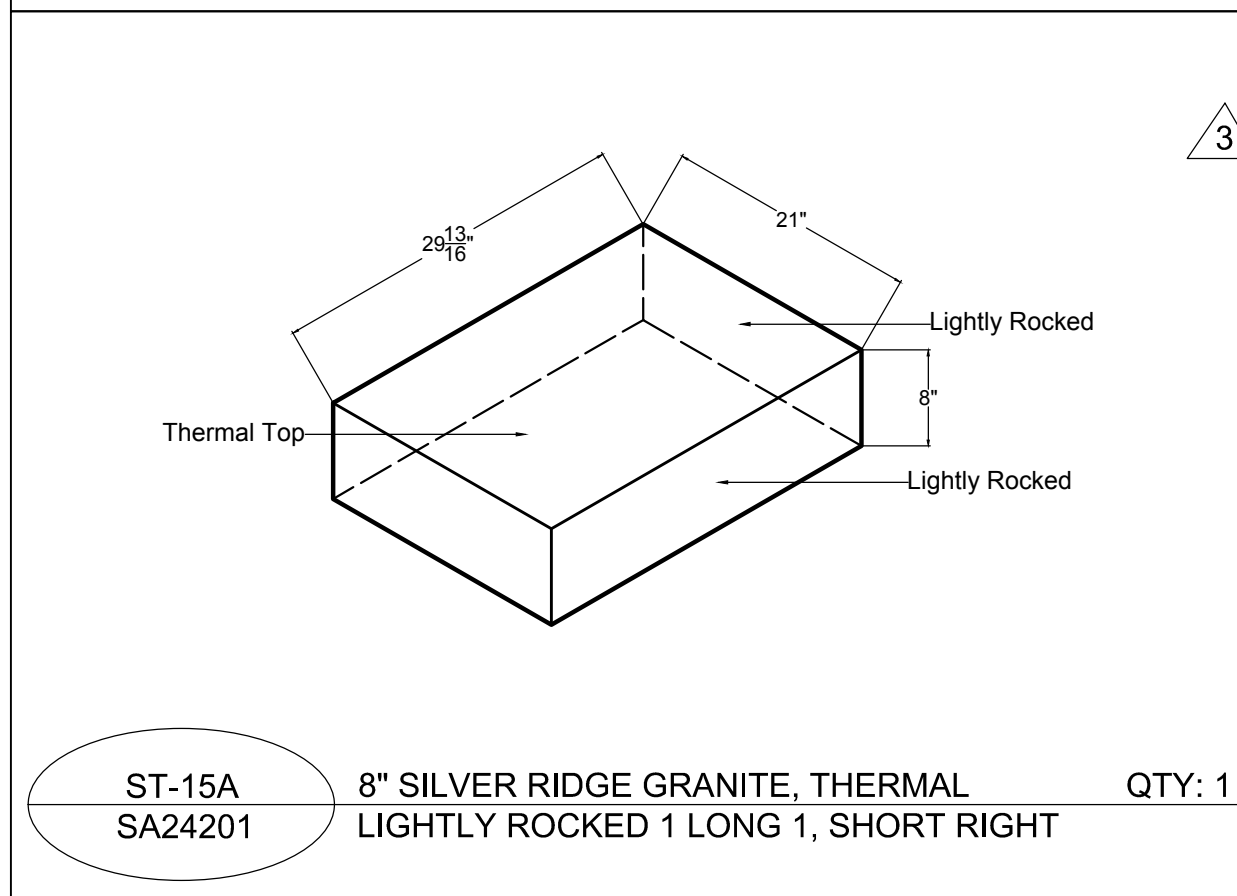
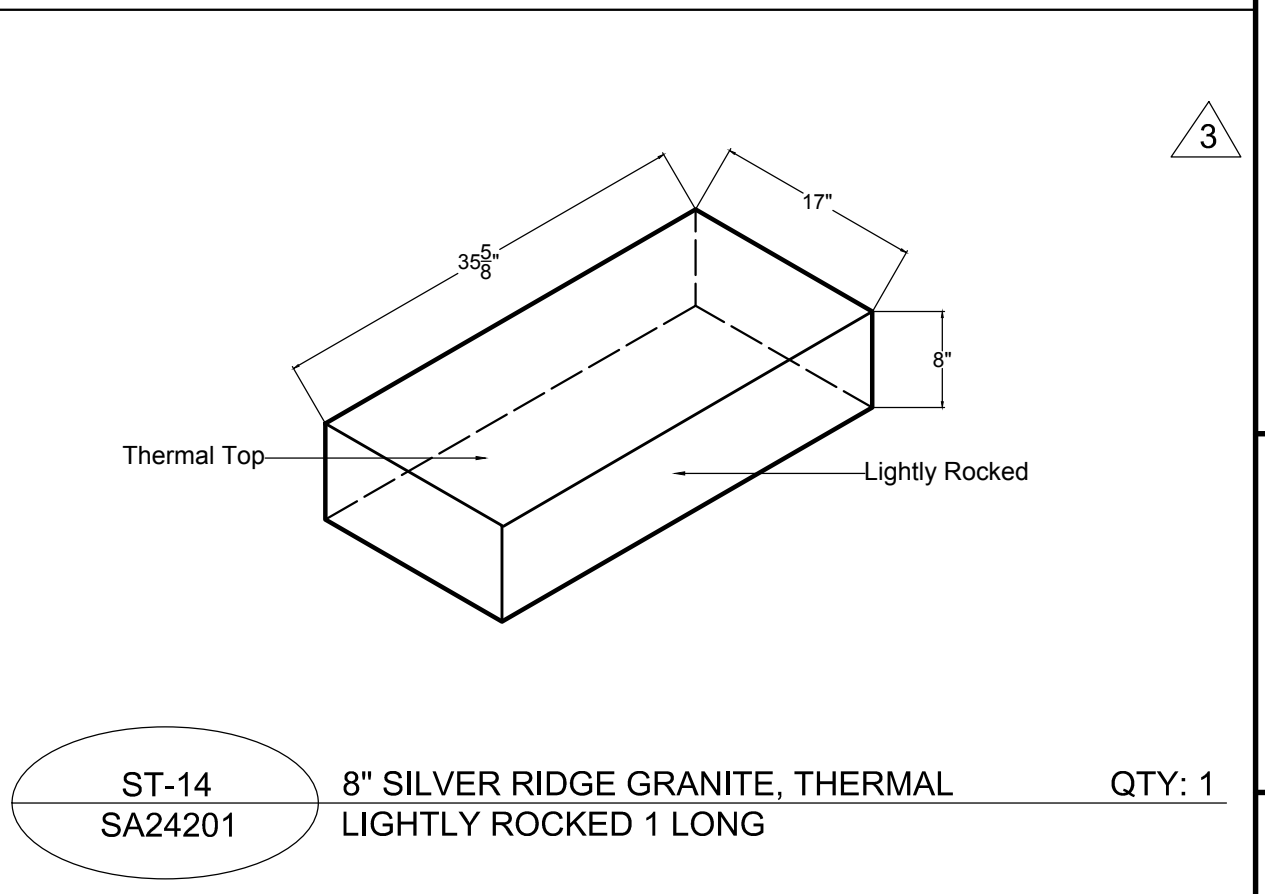
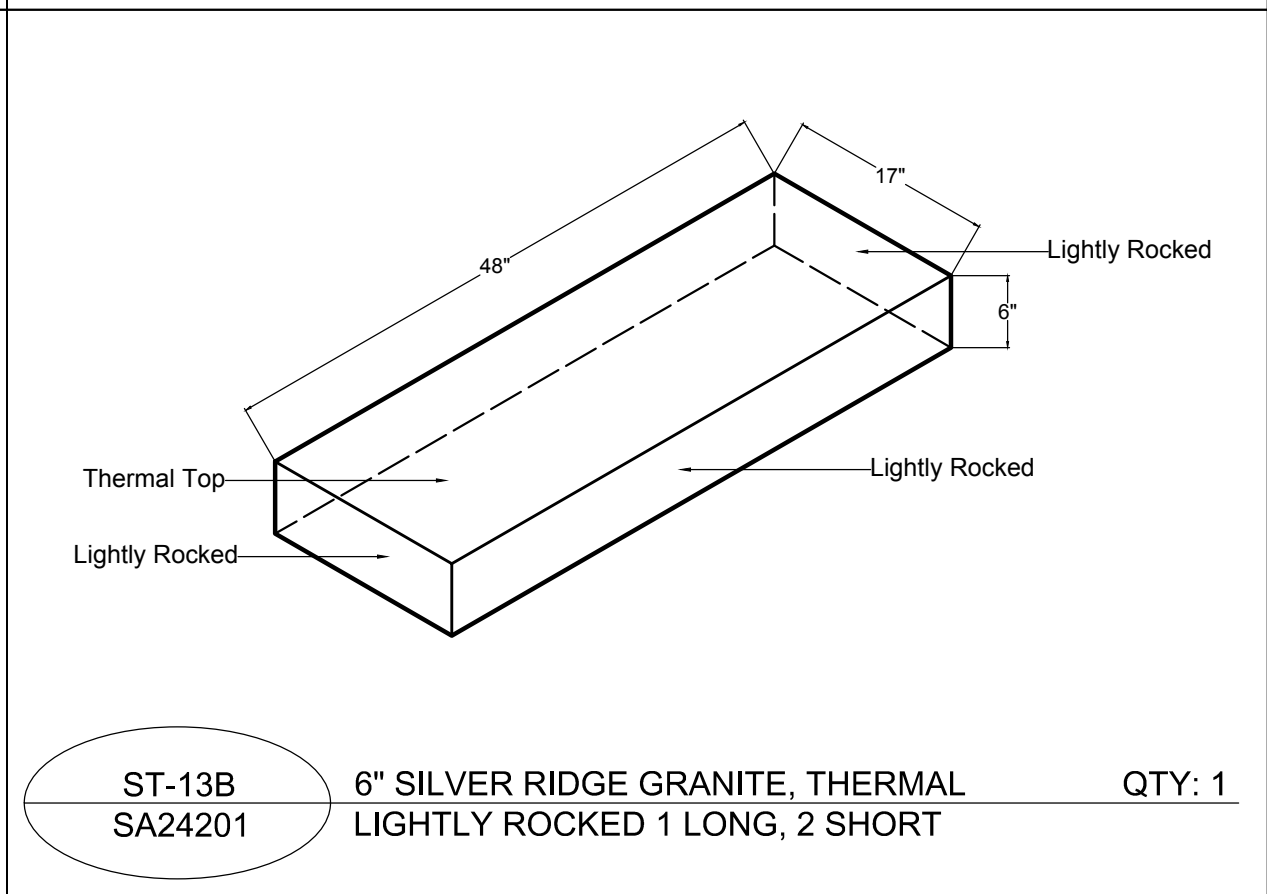
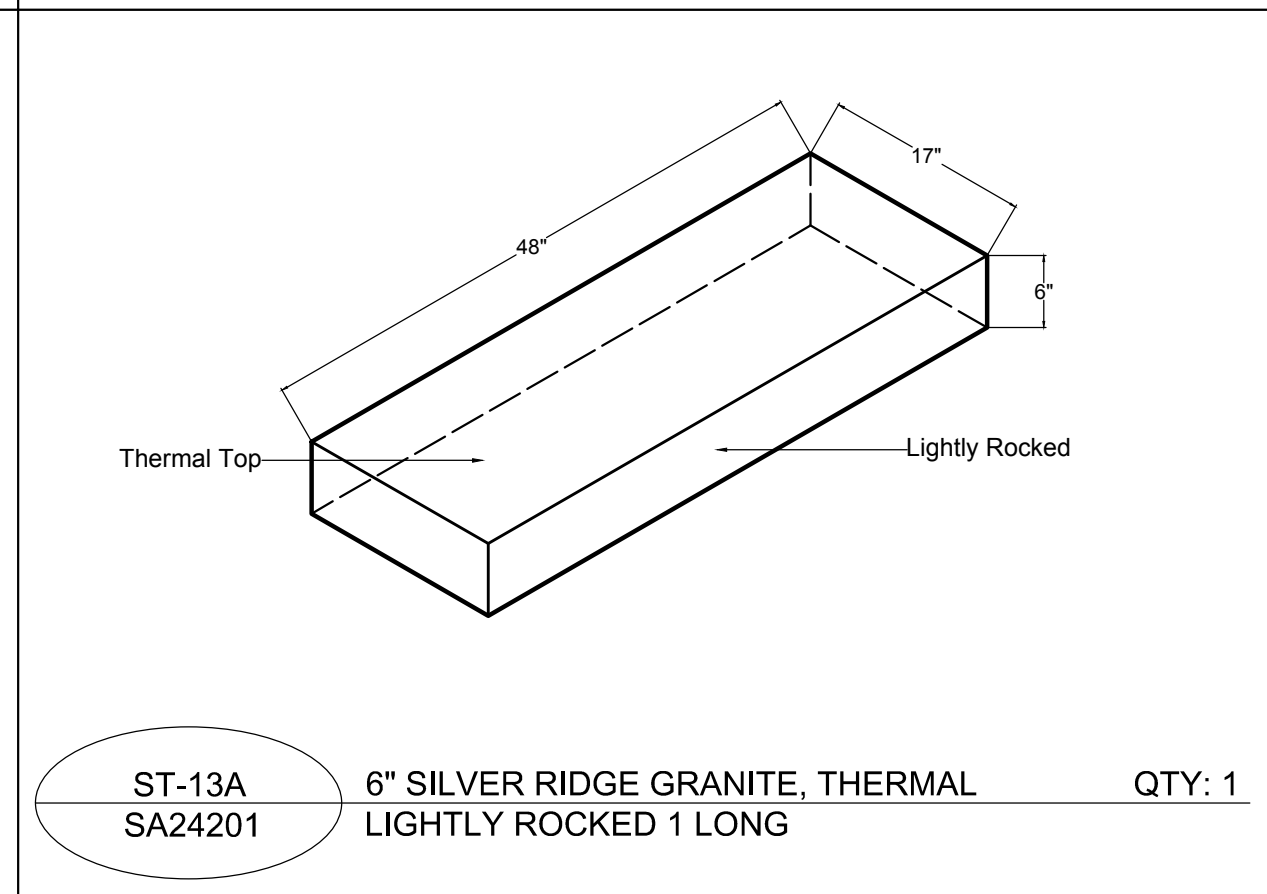
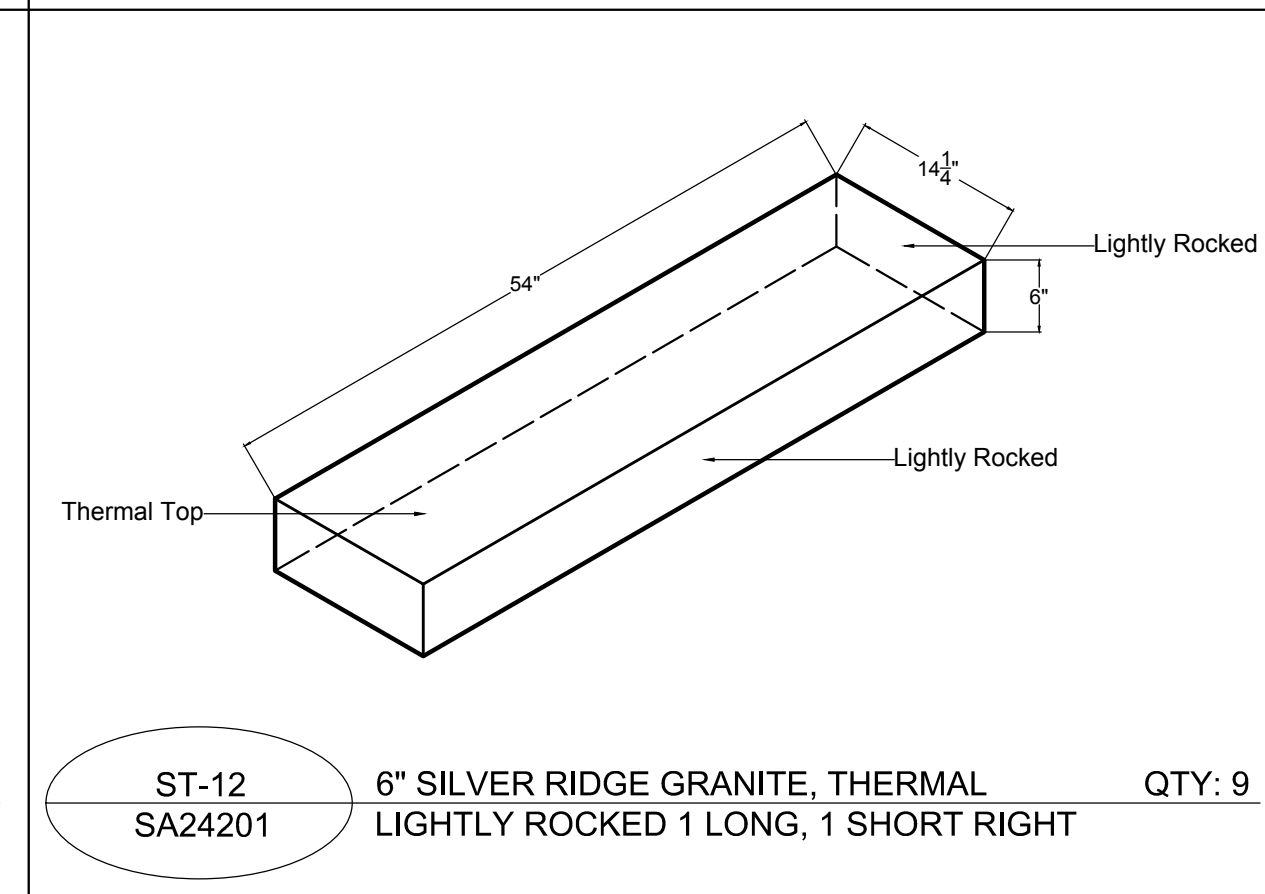
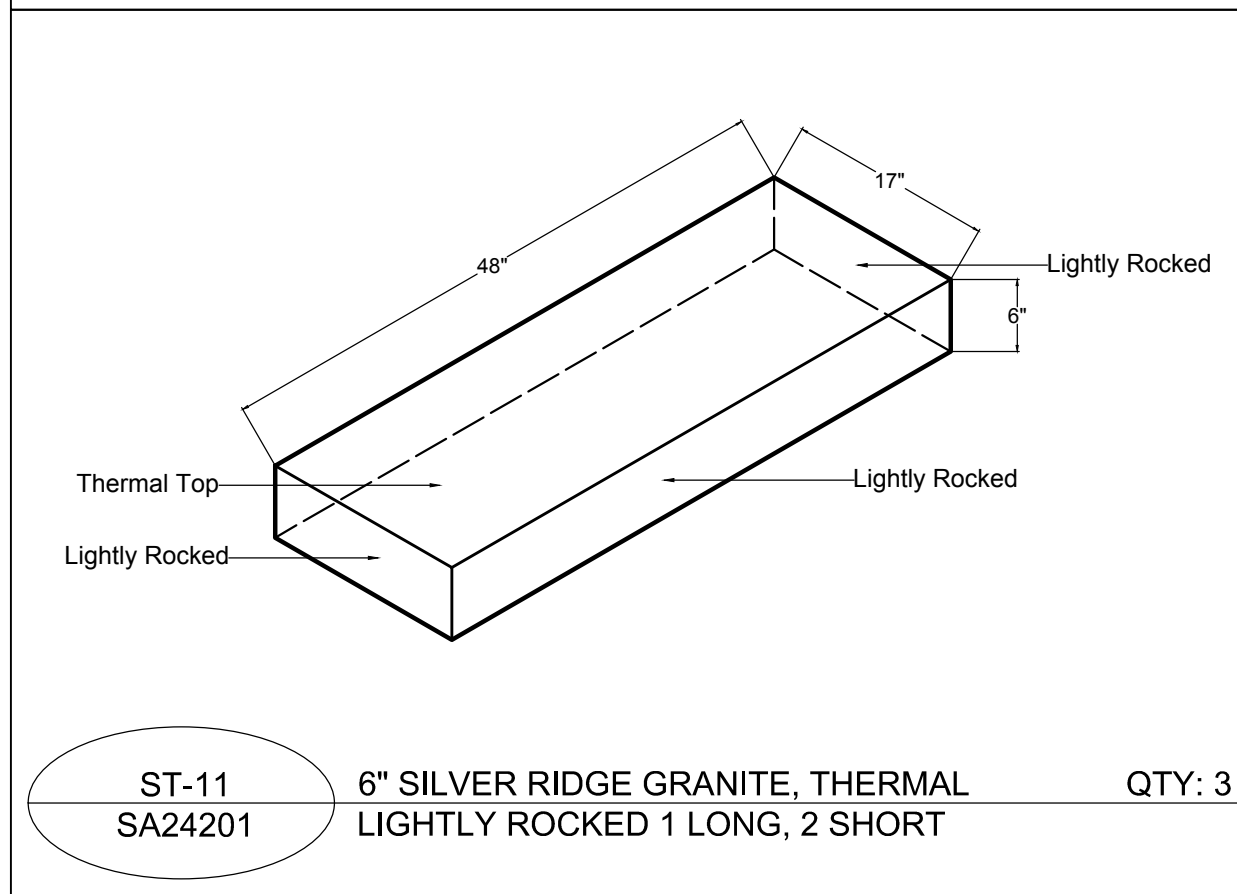
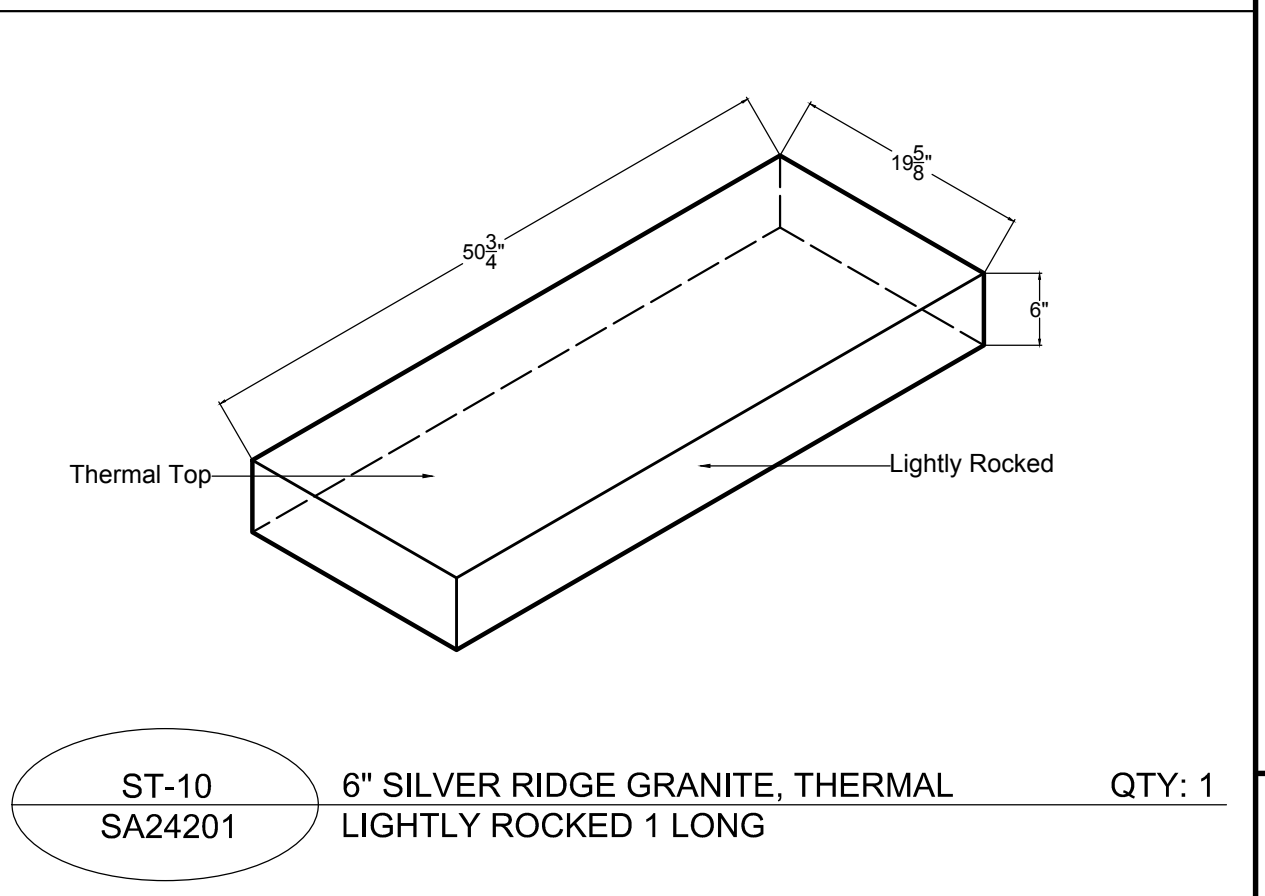
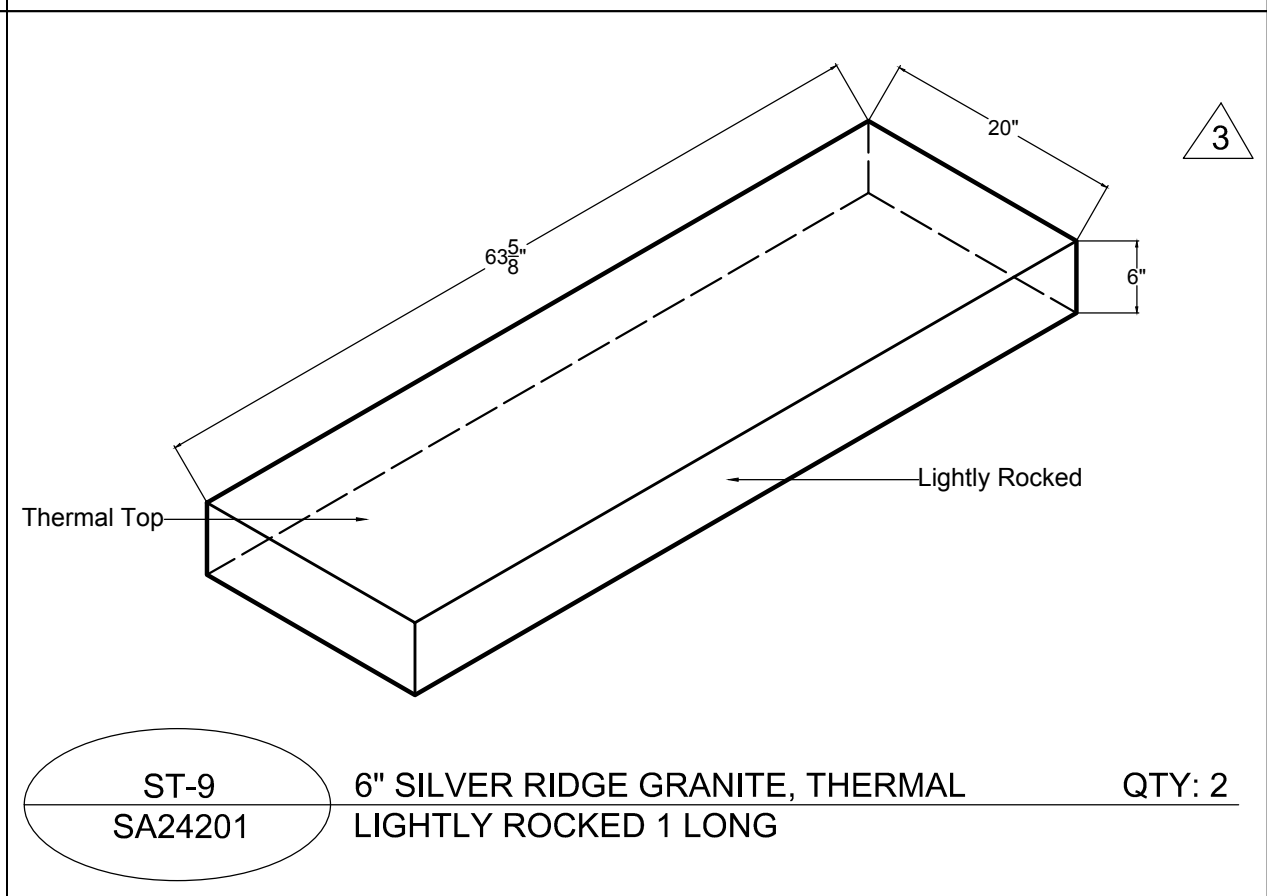
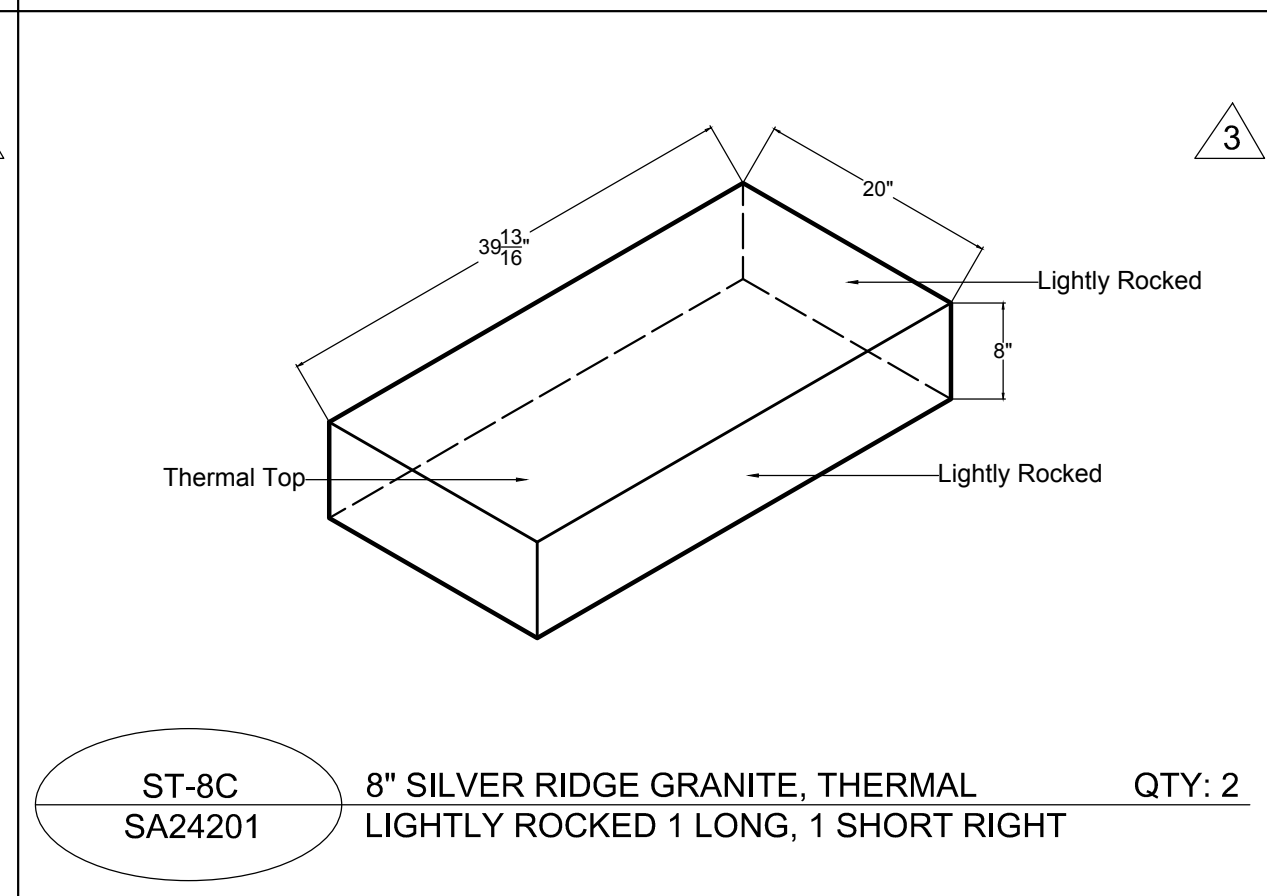
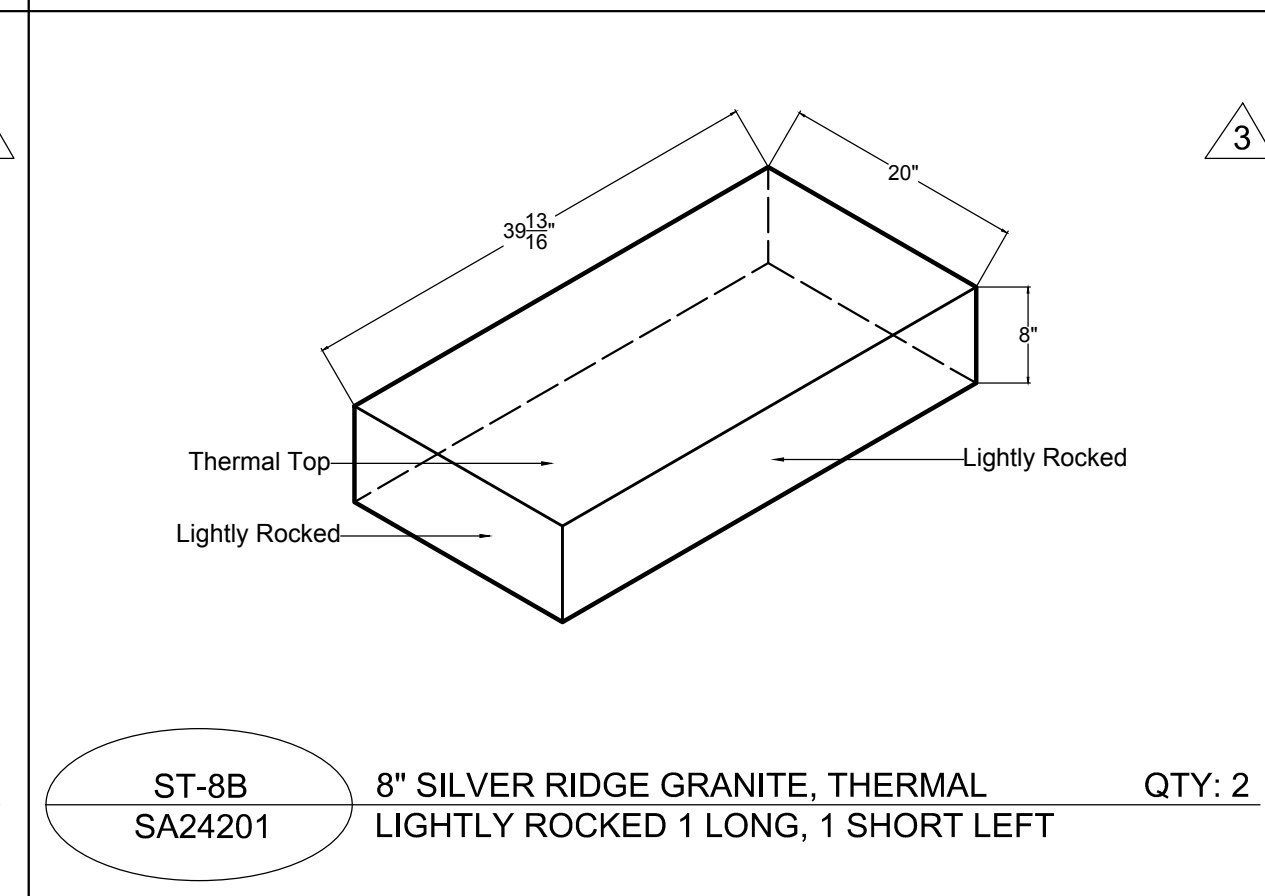
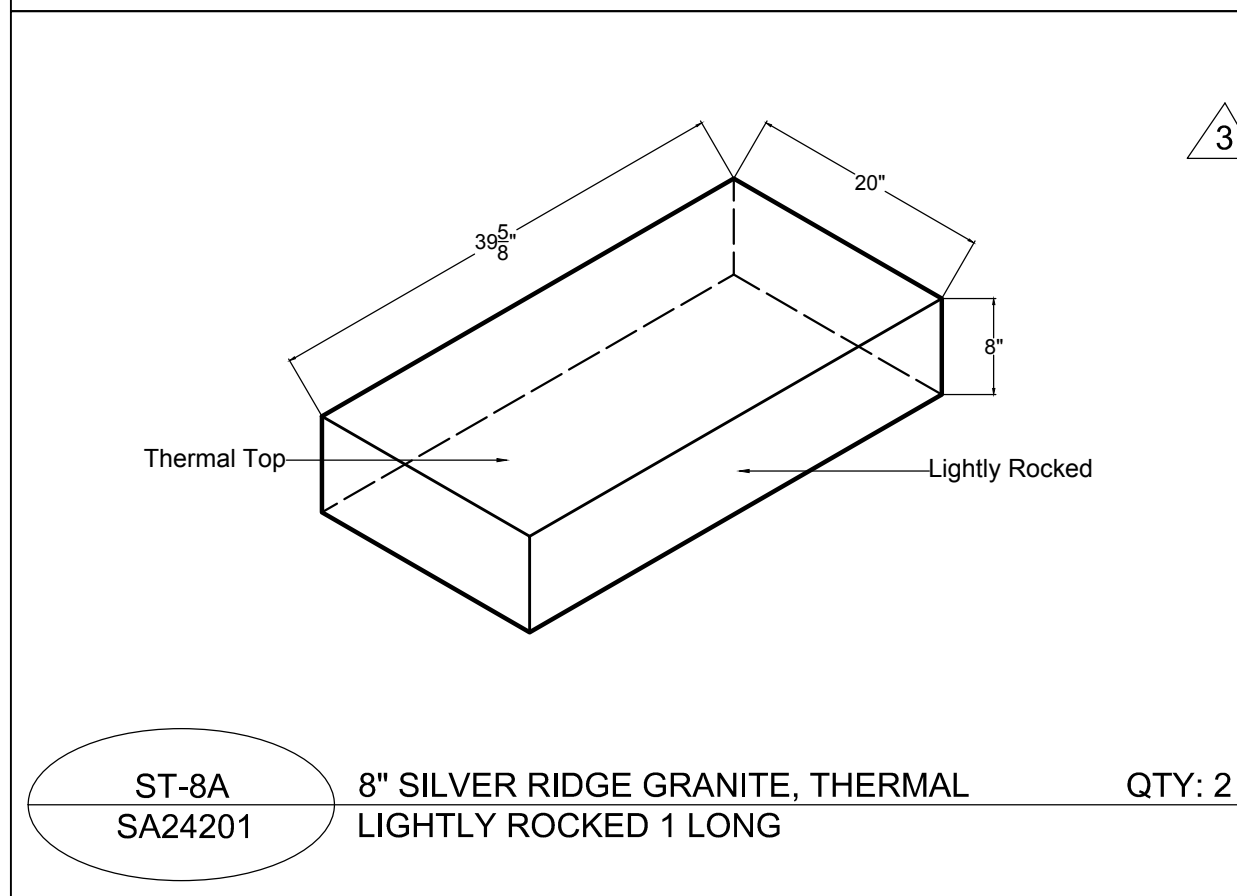
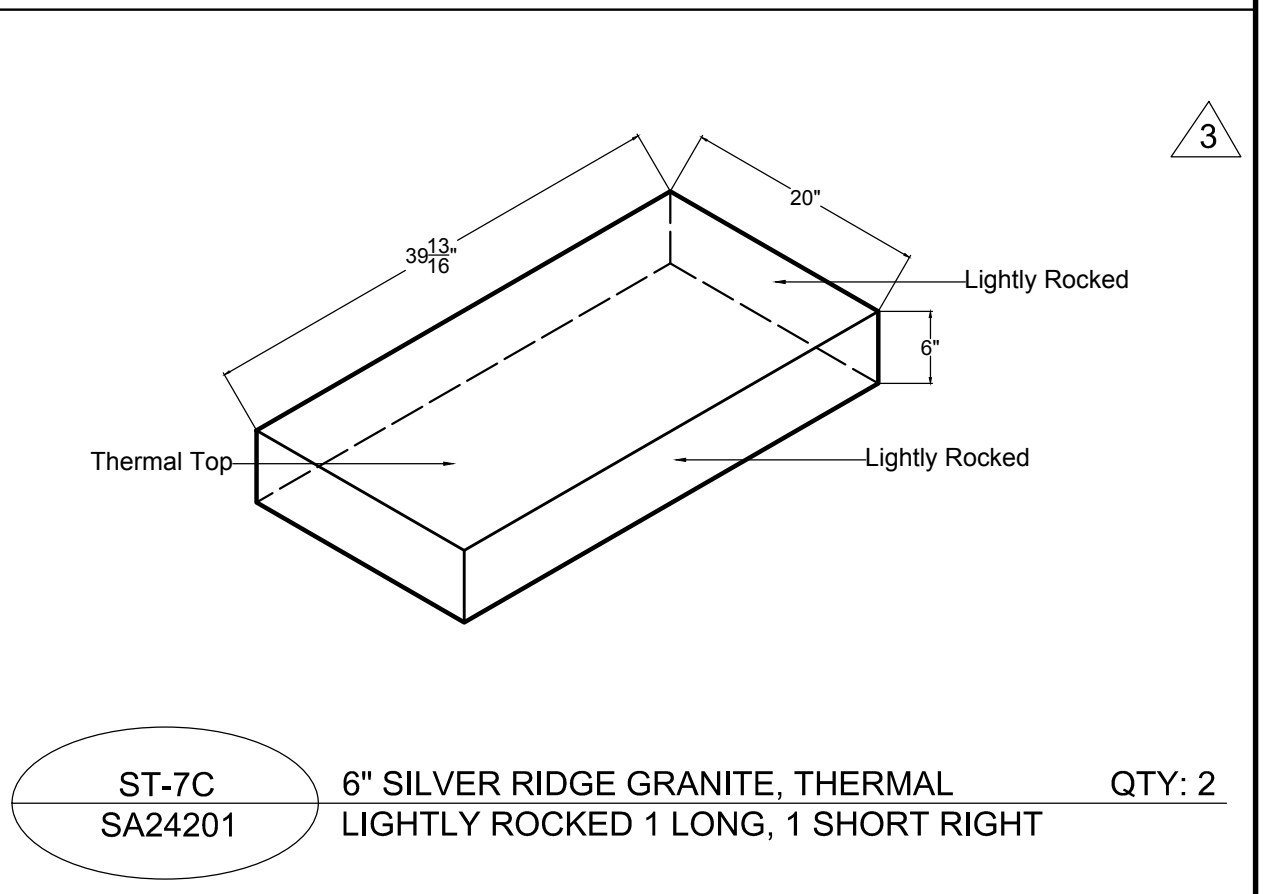
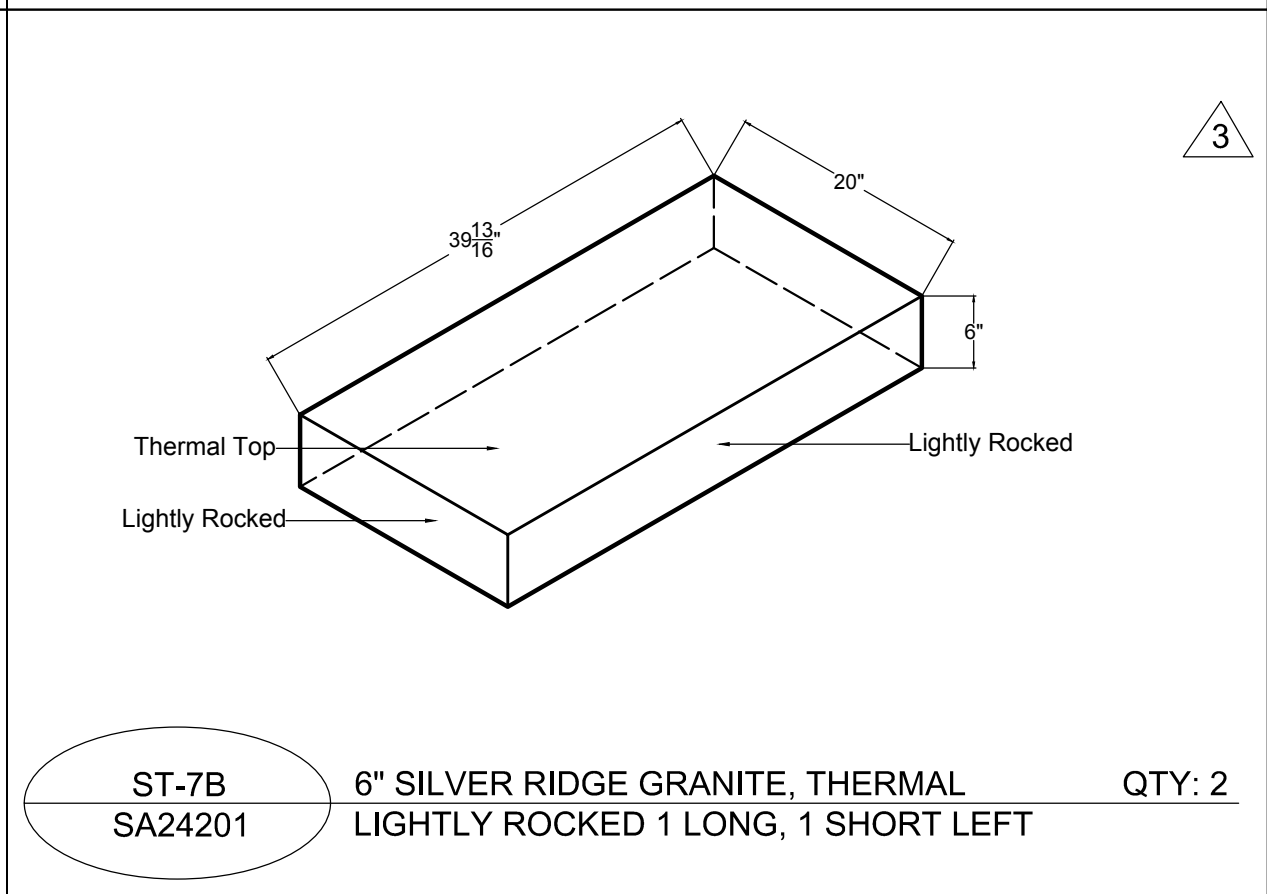
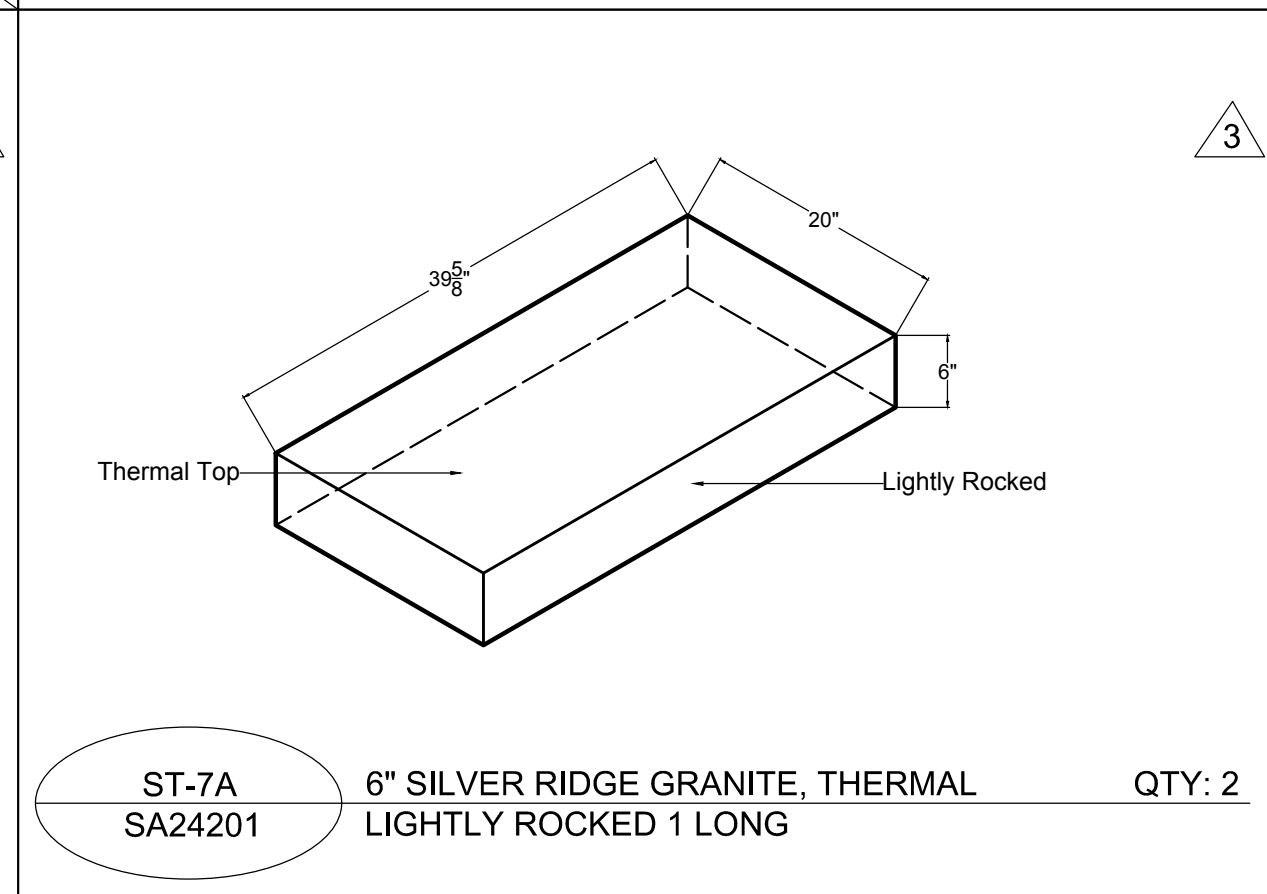
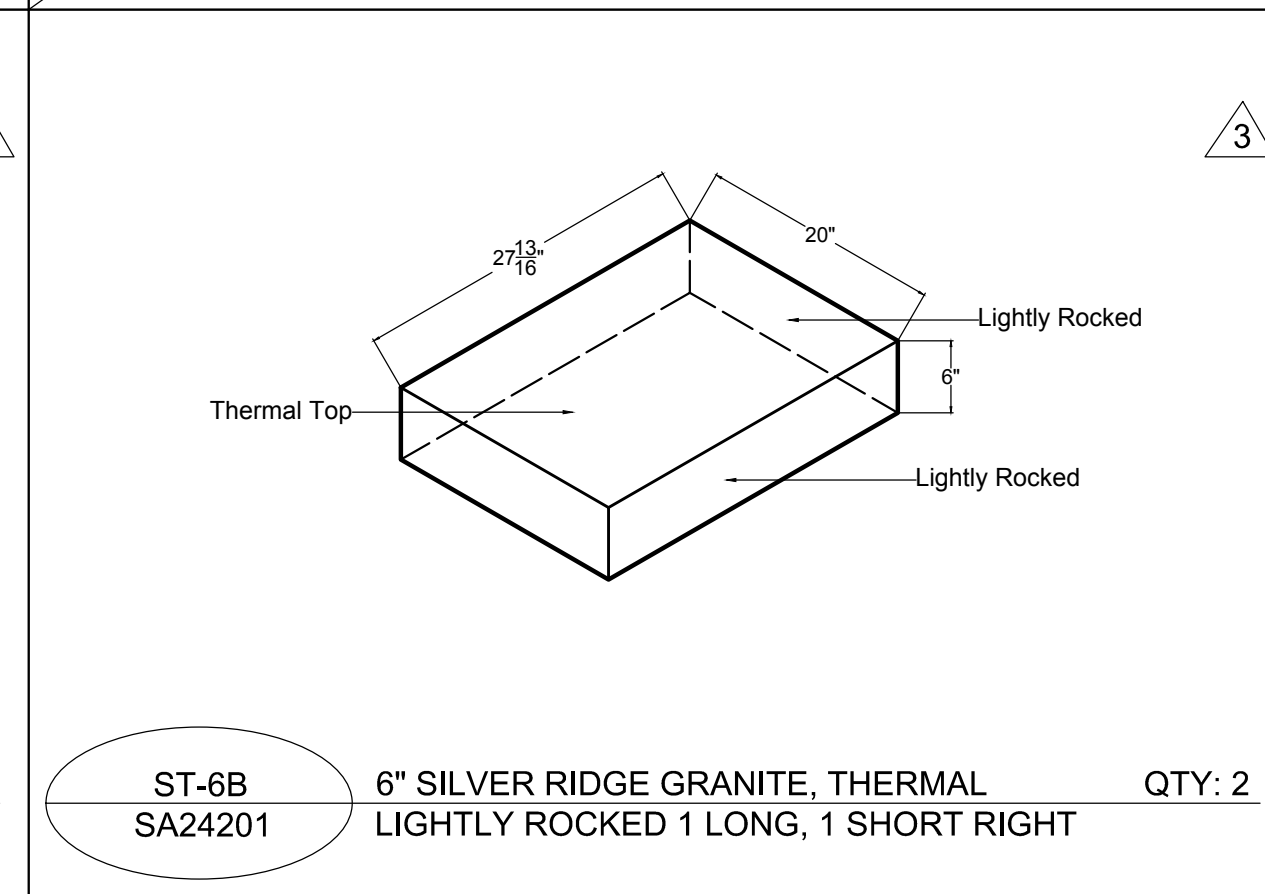
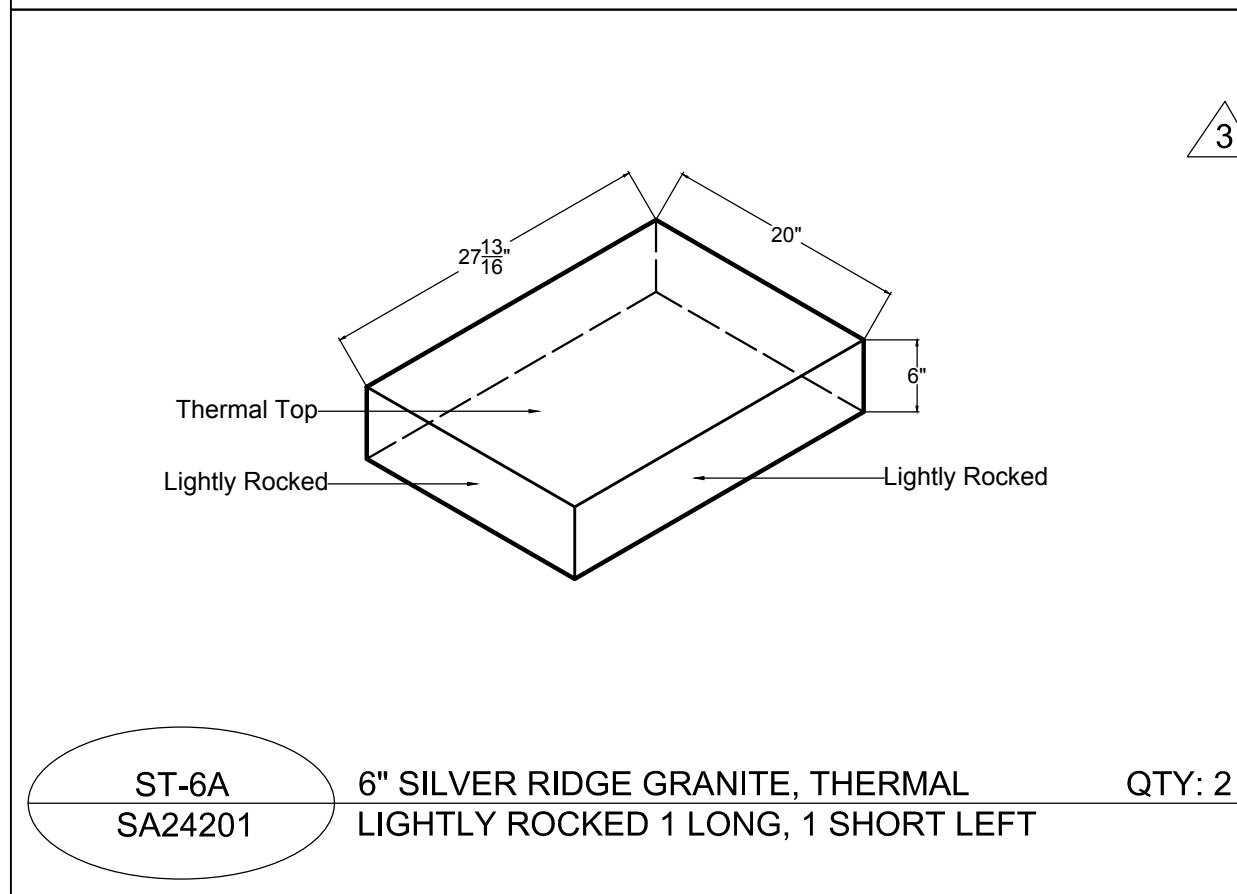
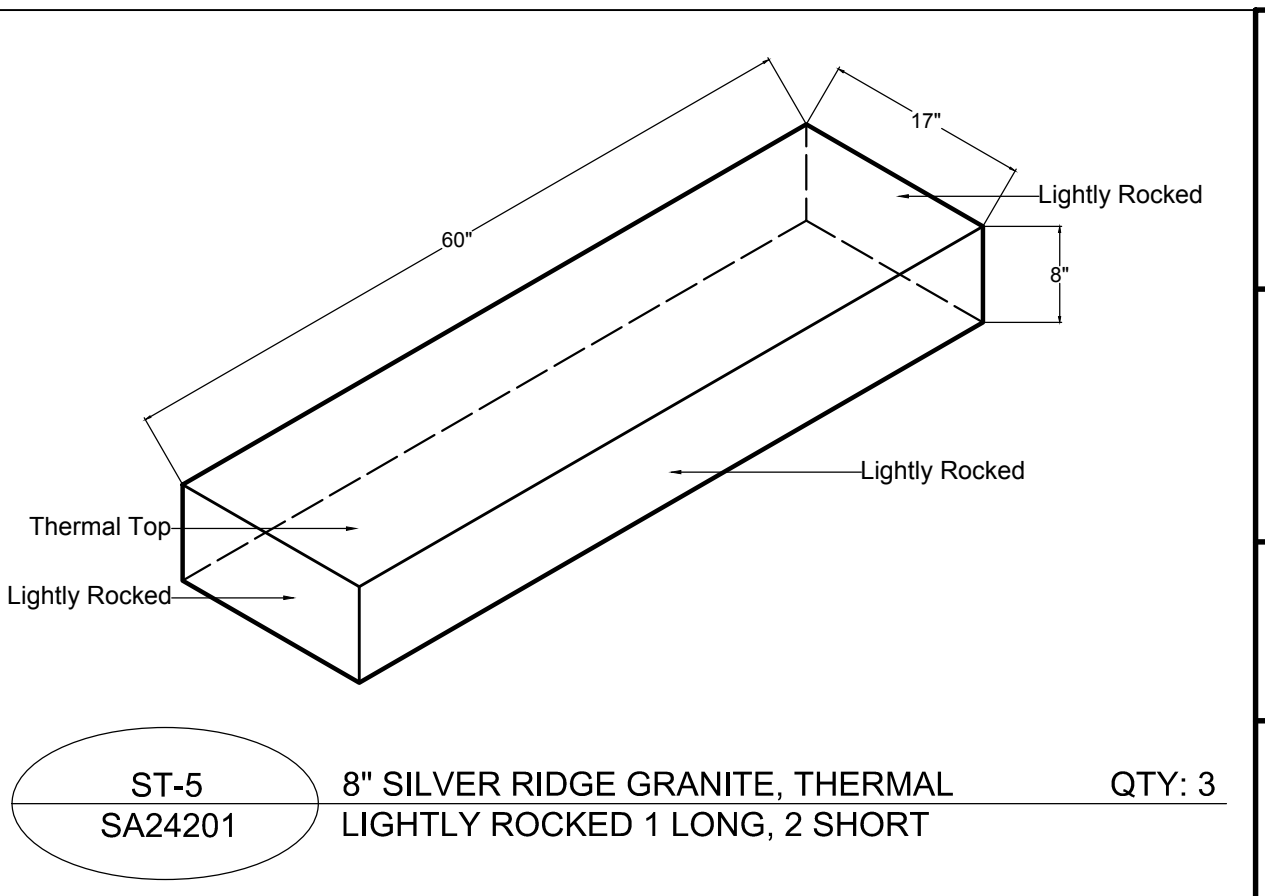
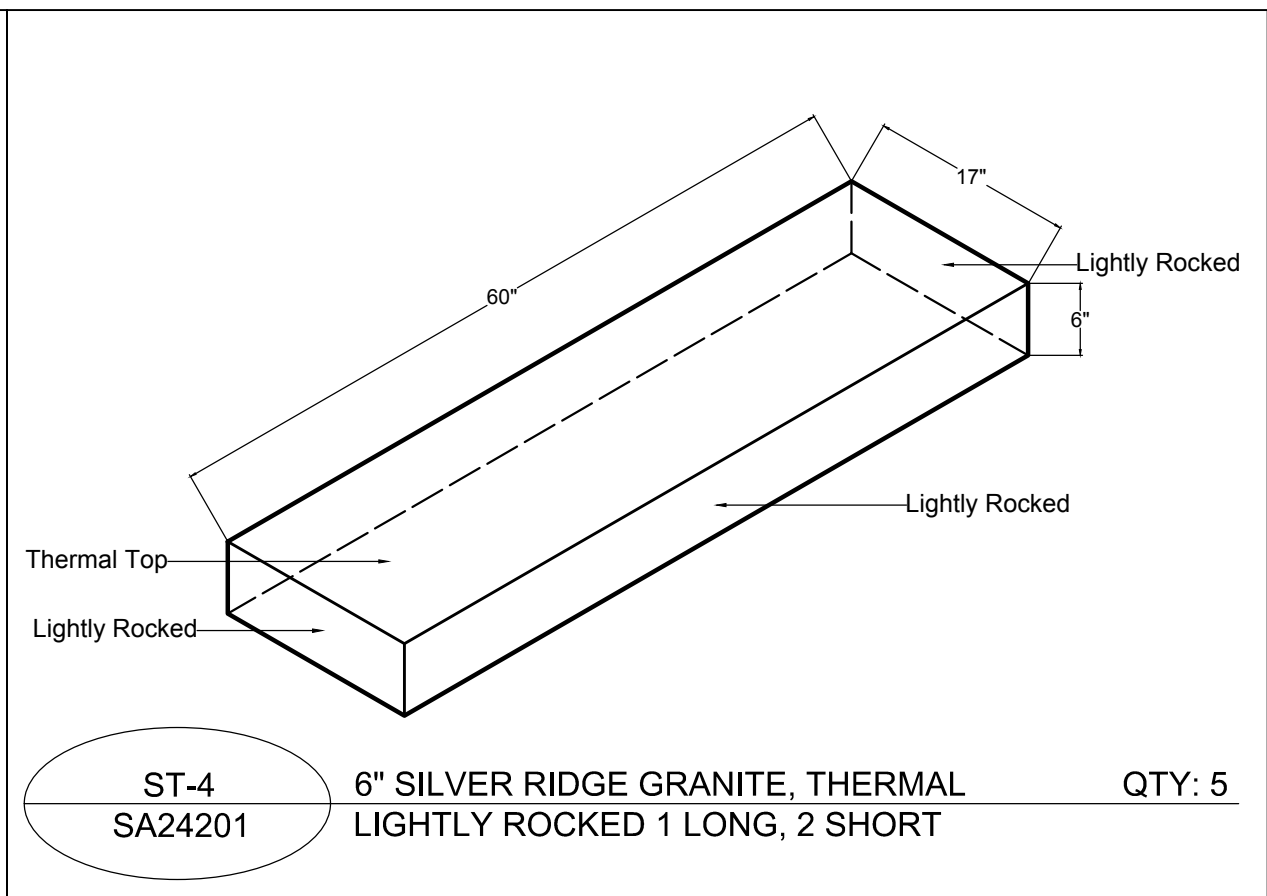
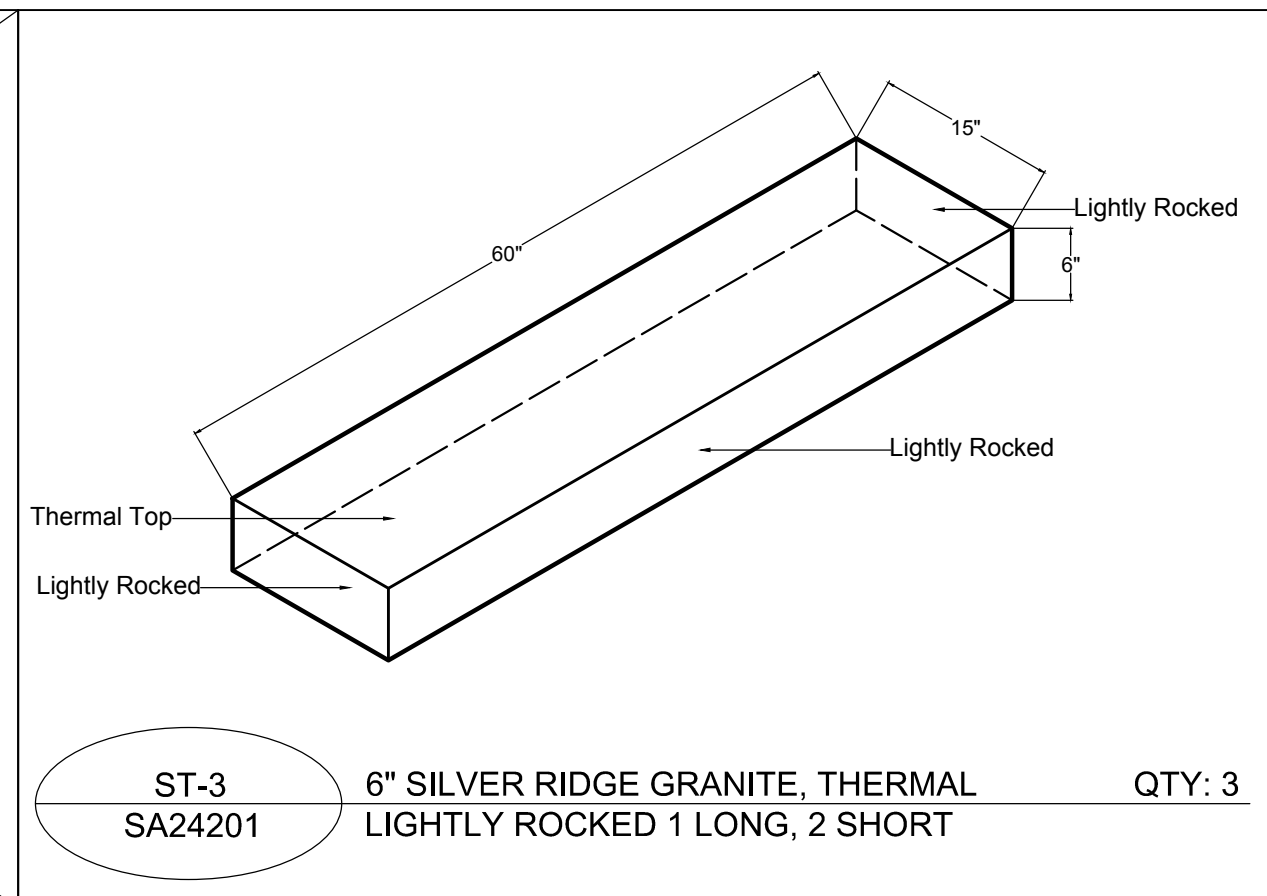
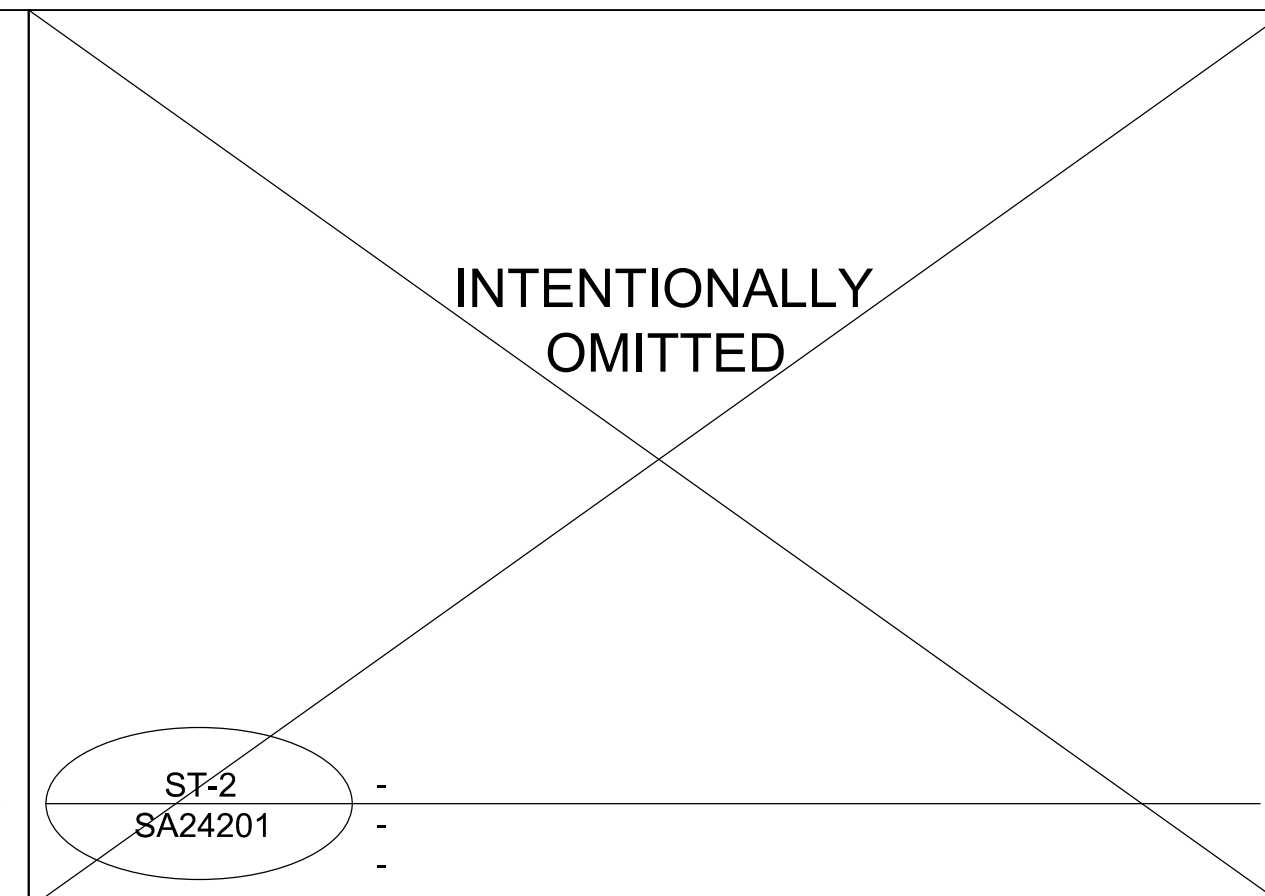
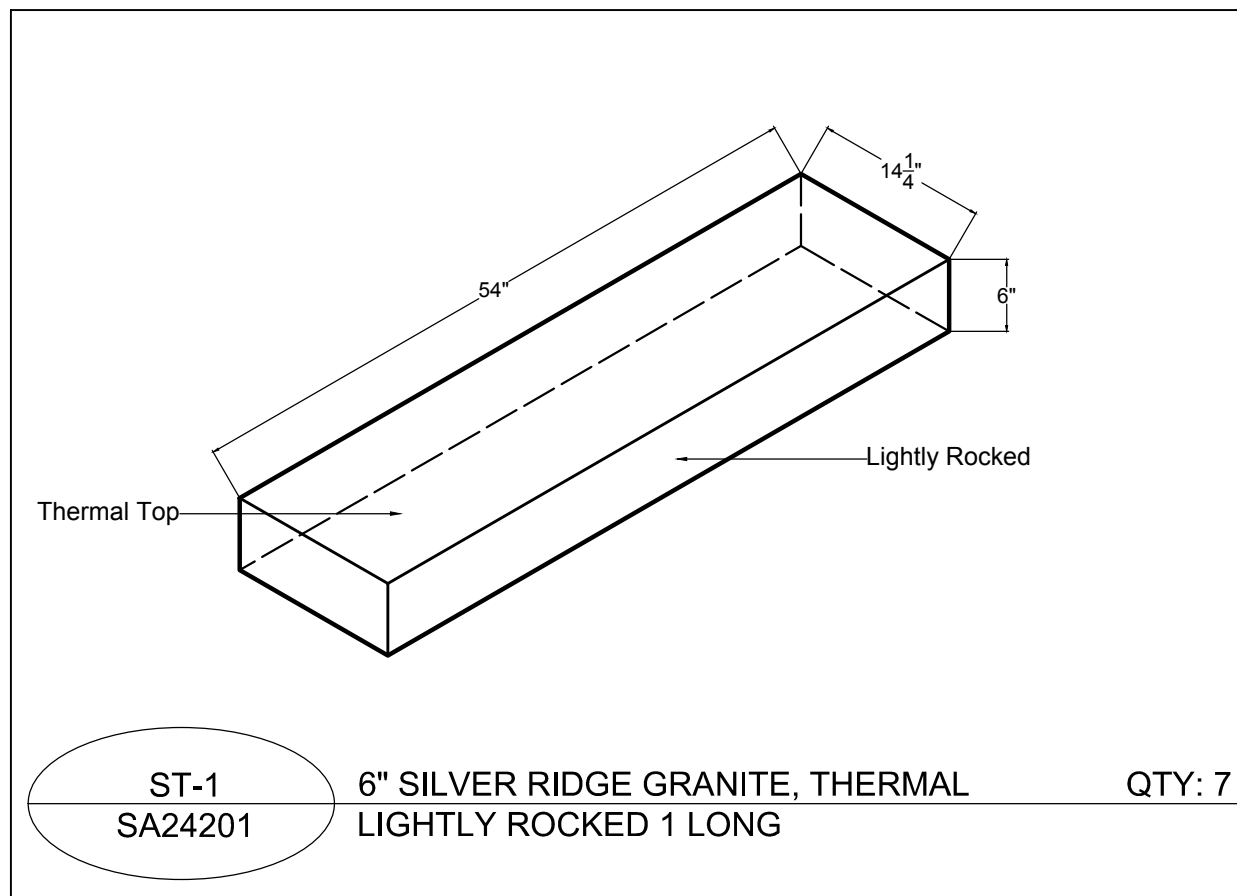
REFERENCE: 63 LEICESTER STREET, L1.10

DATE	REVISION
5/28/19	
5/31/19	
6/10/19	△ (Joining)

DRAWN BY:
ZACH BEAULIEU
CUSTOMER APPROVED:

SHEET

4



INTENTIONALLY OMITTED

ST-18B -
SA24201 -

ST-19 9.5" SILVER RIDGE GRANITE, THERMAL LIGHTLY ROCKED 1 LONG, 2 SHORT QTY: 1

*Field Verify Dimensions

ST-20 6" SILVER RIDGE GRANITE, THERMAL LIGHTLY ROCKED FOR 16" OF 1 SHORT FACE (RIGHT SIDE) QTY: 1

*Should there be an ST-21 that has a front section rocked to blend into ST-22B?

ST-21 6" SILVER RIDGE GRANITE, THERMAL LIGHTLY ROCKED 1 LONG QTY: 2

*Compared to Lombardi's layout plan this width may be a typo on their shops? Should it be 21-3/4"?

ST-22A 6" SILVER RIDGE GRANITE, THERMAL LIGHTLY ROCKED 1 SHORT QTY: 1

ST-22B 6" SILVER RIDGE GRANITE, THERMAL LIGHTLY ROCKED 1 LONG, 1 SHORT RIGHT QTY: 1

ST-23 6" SILVER RIDGE GRANITE, THERMAL LIGHTLY ROCKED 1 LONG, 2 SHORT QTY: 2

ST-24 8" SILVER RIDGE GRANITE, THERMAL LIGHTLY ROCKED 1 LONG, 2 SHORT QTY: 1

ST-25 6" SILVER RIDGE GRANITE, THERMAL LIGHTLY ROCKED 1 LONG, 1 SHORT LEFT QTY: 2

ST-26 6" SILVER RIDGE GRANITE, THERMAL LIGHTLY ROCKED 1 LONG, 1 SHORT RIGHT QTY: 2

ST-27 6" SILVER RIDGE GRANITE, THERMAL LIGHTLY ROCKED 1 LONG QTY: 2

ST-28 6" SILVER RIDGE GRANITE, THERMAL LIGHTLY ROCKED 1 LONG, 1 SHORT LEFT QTY: 1

ST-29 6" SILVER RIDGE GRANITE, THERMAL LIGHTLY ROCKED 1 SHORT QTY: 1

INTENTIONALLY OMITTED

CS-1 -
SA24201 -

*Confirm edge detail with LA

CS-2A 2" SILVER RIDGE GRANITE, THERMAL THERMAL 1 LONG WITH 1/2" EASED TOP EDGE AND 1/2" PENCIL BOTTOM EDGE QTY: 2

*Confirm edge detail with LA

CS-2B 2" SILVER RIDGE GRANITE, THERMAL THERMAL WITH 1/2" EASED TOP EDGE AND 1/2" PENCIL BOTTOM EDGE FOR 18" OF 1 LONG EDGE (LEFT SIDE) QTY: 1

*Confirm edge detail with LA

CS-2C 2" SILVER RIDGE GRANITE, THERMAL THERMAL WITH 1/2" EASED TOP EDGE AND 1/2" PENCIL BOTTOM EDGE FOR 18" OF 1 LONG EDGE (RIGHT SIDE) QTY: 1

*Confirm edge detail with LA

*Is there any difference between CS-2A AND CS-3?

CS-3 2" SILVER RIDGE GRANITE, THERMAL THERMAL 1 LONG WITH 1/2" EASED TOP EDGE AND 1/2" PENCIL BOTTOM EDGE QTY: 12

*Added as part of Revision 2 Set

PI-1A CUSTOM SILVER RIDGE GRANITE QTY: 2 THERMAL TOP, SPLIT 2 OPPOSITE SIDES, THERMAL 2 OPPOSITE SIDES, SAWN BOTTOM (SEE TICKET)

*Added as part of Revision 2 Set

PI-1B CUSTOM SILVER RIDGE GRANITE QTY: 2 THERMAL TOP, SPLIT TWO ADJACENT SIDES, THERMAL 2 ADJACENT SIDES, SAWN BOTTOM (SEE TICKET)

*Added as part of Revision 2 Set

PI-1C CUSTOM SILVER RIDGE GRANITE QTY: 2 THERMAL TOP, SPLIT 3 ADJACENT SIDES, THERMAL 1 REMAINING SIDE, SAWN BOTTOM SEE TICKET

*V-groove address number to be hand carved; final font, width and V-groove to be discussed with Landscape Architect prior to Fabrication

PI-2A 9" SILVER RIDGE GRANITE, THERMAL THERMAL ALL 4 SIDES QTY: 1

PI-2B 9" SILVER RIDGE GRANITE, THERMAL THERMAL ALL 4 SIDES QTY: 1

*Seems to be conflicting notation on front faces, are they Split or Thermal?

PI-3 CUSTOM SILVER RIDGE GRANITE QTY: 4 SEE TICKET FOR EDGE CONDITIONS

INTENTIONALLY OMITTED

X-X -
SA24201 -